

SWPPP INDEX OF SHEETS

DESCRIPTION	SHT.
1. SWPPP REQUIREMENTS (3.0).....	1
2. SITE DESCRIPTION (3.5.1).....	1
3. ORDER OF CONSTRUCTION ACTIVITIES (3.5.1.b, 3.5.2.a).....	1
4. STREAM, OUTFALL, WETLAND, TMDL AND ECOLOGY INFORMATION.....	1
5. EROSION PREVENTION AND SEDIMENT CONTROL (EPSC) MEASURES (3.5.3).....	2
6. FLOCCULANTS (3.5.3.1.b).....	3
7. UTILITY RELOCATION.....	3
8. MAINTENANCE AND INSPECTION.....	4
9. SITE ASSESSMENTS (3.1.2).....	4
10. STORMWATER MANAGEMENT (3.5.4).....	4
11. NON-STORMWATER DISCHARGES (3.5.9).....	5
12. SPILL PREVENTION, MANAGEMENT AND NOTIFICATION (3.5.5.c, 5.1).....	5
13. RECORD-KEEPING.....	6
14. SITE WIDE/PRIMARY PERMITTEE CERTIFICATION (7.7.5).....	7
15. SECONDARY PERMITTEE (OPERATOR) CERTIFICATION (7.7.6).....	7
16. ENVIRONMENTAL PERMITS (9.0).....	7

NOTE: CITATIONS IN PARENTHESIS INDICATE SECTIONS OF THE CURRENT CGP.

- SWPPP REQUIREMENTS (3.0)**
 - HAS THE SWPPP TEMPLATE BEEN PREPARED BY AN INDIVIDUAL THAT HAS THE FOLLOWING LICENSING AND/OR CERTIFICATIONS (3.1.1)?
 - YES (CHECK ALL THAT APPLY BELOW) OR NO
 - CERTIFIED PROFESSIONAL IN EROSION AND SEDIMENT CONTROL (CPESC)
 - A TN LICENSED PROFESSIONAL ENGINEER OR LANDSCAPE ARCHITECT
 - HAS SUCCESSFULLY COMPLETED TDEC LEVEL II COURSE
 - DO THE EPSC PLANS INVOLVE STRUCTURAL DESIGN, HYDRAULIC, HYDROLOGIC OR OTHER ENGINEERING CALCULATIONS FOR EPSC STRUCTURAL MEASURES (E.G. SEDIMENT BASINS) (3.1.1)? YES NO

IF YES, HAVE THE EPSC PLANS BEEN PREPARED, STAMPED AND CERTIFIED BY A TN LICENSED PROFESSIONAL ENGINEER OR LANDSCAPE ARCHITECT? YES NO
 - DO THE PROJECT STORMWATER OUTFALLS DIRECTLY DISCHARGE INTO THE FOLLOWING (5.4.1)? YES (CHECK ALL THAT APPLY BELOW) NO
 - WATERS WITH UNAVAILABLE PARAMETERS (303d FOR SILTATION OR HABITAT ALTERATION)
 - EXCEPTIONAL TENNESSEE WATERS

IF YES TO SECTION 1.3, HAS THE SWPPP TEMPLATE BEEN PREPARED BY AN INDIVIDUAL THAT HAS THE FOLLOWING LICENSING AND/OR CERTIFICATIONS (5.4.1.b)?

 - YES (CHECK ALL THAT APPLY BELOW) NO
 - CERTIFIED PROFESSIONAL IN EROSION AND SEDIMENT CONTROL (CPESC)
 - A TN LICENSED PROFESSIONAL ENGINEER OR LANDSCAPE ARCHITECT
 - HAS SUCCESSFULLY COMPLETED TDEC LEVEL II COURSE
- SITE DESCRIPTION (3.5.1)**
 - PROJECT LIMITS (3.5.1.h): REFER TO TITLE SHEET
 - PROJECT DESCRIPTION (3.5.1.a):

TITLE: ROTTEN FORK ROAD BRIDGE OVER ROTTEN FORK WOLF RIVER AT LM 0.135
COUNTY: FENTRESS
PIN: 117282.00
 - SITE MAP(S) (2.6.2): REFER TO TITLE SHEET
 - DESCRIPTION OF EXISTING SITE TOPOGRAPHY (3.5.1.d): REFER TO EXISTING CONTOURS SHEET(S) 24, DRAINAGE MAP SHEET(S) 19, USGS QUAD MAP, AND THE OUTFALL TABLE IN SECTION 4.3.
 - MAJOR SOIL DISTURBING ACTIVITIES (3.5.1.b) (CHECK ALL THAT APPLY):
 - CLEARING AND GRUBBING
 - EXCAVATION

- CUTTING AND FILLING
 - FINAL GRADING AND SHAPING
 - UTILITIES
 - OTHER (DESCRIBE): _____
- TOTAL PROJECT AREA (3.5.1.c): 2.25 ACRES
 - TOTAL AREA TO BE DISTURBED (3.5.1.c): 2.25 ACRES
 - NO MORE THAN 50 ACRES OF ACTIVE SOIL DISTURBANCE IS ALLOWED AT ANY TIME DURING THE CONSTRUCTION OF THE PROJECT.
 - ARE THERE ANY SEASONAL LIMITATIONS ON WORK? YES NO
IF YES, LIST THE CORRESPONDING PLAN SHEET: N/A
 - WAS ROW FINALIZED PRIOR TO FEBRUARY 1, 2010 (4.1.2.2)?
 - YES _____ (DATE) NO
 - IF ROW WAS FINALIZED PRIOR TO FEBRUARY 1, 2010, THIS PROJECT IS CONSIDERED A PRE-APPROVED SITE (4.1.2.2)**
 - SOIL PROPERTIES (3.5.1.f) (4.1.1).
SOIL PROPERTIES FOR THE PRIMARY SOILS ARE LISTED IN THE TABLE BELOW.

SOIL PROPERTIES			
PRIMARY SOIL NAME	HSG	% OF SITE	ERODIBILITY (k value)
SnB, SULLIVAN-SEQUATCHIE-EGAM COMPLEX	B	52.1	0.32
uCanF, CANEYVILLE-ROCK OUTCROP-STANDINGSTONE COMPLEX	C	38.9	0.32
WaC2, WAYNESBORO-ETOWAH COMPLEX	B	9.0	0.37

- IS ACID PRODUCING ROCK (APR) (i.e. PYRITE) LOCATED WITHIN THE PROJECT LIMITS? YES NO
 - IF YES TO SECTION 2.12, HAVE APR LOCATIONS BEEN IDENTIFIED WITHIN THE CONSTRUCTION PLANS AND/OR THE GEOTECHNICAL REPORT? YES NO; AND
 - IF YES TO SECTION 2.12.1, HAS A SPECIAL HANDLING PLAN AND/OR ADAPTIVE MANAGEMENT PLAN (AMP) BEEN PREPARED FOR THE PROJECT? YES NO N/A (TDOT SP107L WILL BE APPLIED.)
- PROJECT RUNOFF COEFFICIENTS AND AREA PERCENTAGES (3.5.1.g).

RUNOFF COEFFICIENTS FOR EXISTING CONDITIONS				
AREA TYPE	AREA(AC)	PERCENTAGE OF TOTAL AREA (%)	RUNOFF CN	C FACTOR
IMPERVIOUS	0.51	22.7		0.8
PERVIOUS	1.74	77.3		0.3
WEIGHTED CURVE NUMBER OR C-FACTOR =				0.41

RUNOFF COEFFICIENTS FOR POST-CONSTRUCTION CONDITIONS				
AREA TYPE	AREA(AC)	PERCENTAGE OF TOTAL AREA (%)	RUNOFF CN	C FACTOR
IMPERVIOUS	0.63	28.0		0.8
PERVIOUS	1.62	72.0		0.3
WEIGHTED CURVE NUMBER OR C-FACTOR =				0.44

- ORDER OF CONSTRUCTION ACTIVITIES (3.5.1.b, 3.5.2.a)**
CONSTRUCTION SHALL BE SEQUENCED AND STAGED TO: MINIMIZE THE EXPOSURE TIME OF GRADED OR DENUDE SOIL AREAS, PRESERVE TOPSOIL, AND MINIMIZE SOIL COMPACTION. NO WORK SHALL BE STARTED UNTIL THE CONTRACTOR'S PLAN FOR THE STAGING OF THEIR OPERATIONS, INCLUDING

THE PLAN FOR STAGING OF TEMPORARY AND PERMANENT EPSC MEASURES, HAS BEEN ACCEPTED BY THE ENGINEER. THE CONTRACTOR'S EPSC PLAN SHALL INCORPORATE AND SUPPLEMENT, AS ACCEPTABLE, THE ORDER OF CONSTRUCTION ACTIVITIES AND THE BASIC EPSC DEVICES DEPICTED ON THE EPSC PLAN CONTAINED WITHIN THE APPROVED SWPPP.

- SPECIAL SEQUENCING REQUIREMENTS (SEE SHEETS 24-26)
- INSTALL STABILIZED CONSTRUCTION EXITS.
- INSTALL PERIMETER PROTECTION WHERE RUNOFF SHEET FLOWS FROM THE SITE.
- INSTALL INITIAL EPSC MEASURES BEFORE CLEARING, GRUBBING, EXCAVATION, GRADING, CULVERT OR BRIDGE CONSTRUCTION, CUTTING, FILLING, OR ANY OTHER EARTHWORK OCCURS, EXCEPT AS SUCH WORK MAY BE NECESSARY TO INSTALL EPSC MEASURES.
- PERFORM CLEARING AND GRUBBING (NOT MORE THAN 14 DAYS PRIOR TO GRADING OR EARTH-MOVING. REFER TO THE STABILIZATION PRACTICES BELOW.)
- REMOVE AND STORE TOPSOIL.
- STABILIZE DISTURBED AREAS WITHIN 14 DAYS OF COMPLETING ANY STAGE AND/OR PHASE OF ACTIVITY.
- INSTALL UTILITIES, STORM SEWERS, CULVERTS AND BRIDGE STRUCTURES.
- INSTALL INLET AND CULVERT PROTECTION ONCE STRUCTURES ARE IN PLACE AND CAPABLE OF INTERCEPTING FLOW.
- PERFORM FINAL GRADING AND INSTALL BASE STONE.
- COMPLETE FINAL PAVING AND SEALING OF CONCRETE.
- INSTALL TRAFFIC CONTROL AND PROTECTION DEVICES.
- COMPLETE FINAL STABILIZATION (TOPSOIL, SEEDING, MULCH, EROSION CONTROL BLANKET, SOD, ETC.)
- REMOVE TEMPORARY EROSION CONTROLS AND ACCUMULATED SEDIMENT FROM AREAS THAT HAVE ESTABLISHED AT LEAST 70 PERCENT UNIFORM PERMANENT VEGETATIVE COVER.
- RE-STABILIZE AREAS DISTURBED BY REMOVAL ACTIVITIES.

- STREAM, OUTFALL, WETLAND, TMDL AND ECOLOGY INFORMATION**
 - STREAM INFORMATION (3.5.1.j, 3.5.1.k)
 - WILL CONSTRUCTION AND/OR EROSION PREVENTION AND SEDIMENT CONTROLS IMPACT ANY STREAMS WITHIN THE PROJECT LIMITS? YES NO
IF YES, THE IMPACT(S) HAVE BEEN INCLUDED IN THE TOTAL PROJECT IMPACTS AND HAVE BEEN INCLUDED IN THE WATER QUALITY PERMITS.
 - HAVE ANY OF THE RECEIVING STATE WATERS LESS THAN OR EQUAL TO 1 FLOW MILE DOWN GRADIENT OF THE PROJECT LIMITS BEEN CLASSIFIED BY TDEC AS FOLLOWS (CHECK ALL THAT APPLY):
 - 303d WITH UNAVAILABLE PARAMETERS FOR SILTATION
 - 303d WITH UNAVAILABLE PARAMETERS FOR HABITAT ALTERATION
 - EXCEPTIONAL TENNESSEE WATERS (ETW)
 - RECEIVING WATERS OF THE STATE (3.5.1.k).

RECEIVING WATERS OF THE STATE INFORMATION					
TDOT STATE WATER LABEL FROM EBR	NAME OF RECEIVING STATE WATER	303d WITH UNAVAILABLE PARAMETERS FOR SILTATION OR HABITAT ALTERATION (YES OR NO)	ETW (YES OR NO)	LOCATED WITHIN PROJECT LIMITS (YES OR NO)	LOCATED WITHIN ≤ 1 FLOW MILE DOWN GRADIENT OF PROJECT LIMITS (YES OR NO)
STR-1	ROTTEN FORK WOLF RIVER	NO	NO	YES	YES
STR-2	ROTTEN FORK WOLF RIVER	NO	NO	YES	YES

- ARE THERE ANY WATER QUALITY RIPARIAN BUFFER ZONES REQUIRED FOR WATERS OF THE STATE? (4.1.2, 5.4.2)
 - YES NO
 - BUFFER ZONE REQUIREMENTS ARE NOT REQUIRED FOR PRE-APPROVED SITES (4.1.2.2.)**

IF YES, THEY HAVE BEEN INCLUDED ON PLAN SHEET(S) N/A.
IF YES, CHECK THE APPROPRIATE BOX BELOW FOR SIZE OF BUFFER.

60-FEET FOR WATERS WITH UNAVAILABLE PARAMETERS AND EXCEPTIONAL TENNESSEE WATERS (AVERAGE WIDTH PER SIDE WITH A MINIMUM OF 30-FEET).

A 60 FOOT NATURAL WATER QUALITY RIPARIAN BUFFER ZONE ADJACENT TO AND ON BOTH SIDES OF THE RECEIVING STATE STREAM WITH THIS DESIGNATION SHALL BE PRESERVED TO THE MAXIMUM EXTENT PRACTICABLE DURING CONSTRUCTION ACTIVITIES AT THE SITE. THE 60 FOOT CRITERION FOR THE WIDTH OF THE BUFFER ZONE CAN BE ESTABLISHED ON AN AVERAGE WIDTH BASIS AT A PROJECT, AS LONG AS THE MINIMUM WIDTH OF THE BUFFER ZONE IS MORE THAN 30 FEET AT ANY MEASURED LOCATION. IF THE CONSTRUCTION SITE ENCOMPASSES BOTH SIDES OF A STREAM, BUFFER AVERAGING CAN BE APPLIED TO BOTH SIDES, BUT MUST BE APPLIED INDEPENDENTLY.

30-FEET FOR ALL OTHER STREAMS (AVERAGE WIDTH PER SIDE WITH A MINIMUM OF 15-FEET).

A 30 FOOT NATURAL WATER QUALITY RIPARIAN BUFFER ZONE ADJACENT TO AND ON BOTH SIDES OF THE RECEIVING STATE STREAM SHALL BE PRESERVED TO THE MAXIMUM EXTENT PRACTICABLE DURING CONSTRUCTION ACTIVITIES AT THE SITE. THE 30 FOOT CRITERION FOR THE WIDTH OF THE BUFFER ZONE CAN BE ESTABLISHED ON AN AVERAGE WIDTH BASIS AT A PROJECT, AS LONG AS THE MINIMUM WIDTH OF THE BUFFER ZONE IS MORE THAN 15 FEET AT ANY MEASURED LOCATION. IF THE CONSTRUCTION SITE ENCOMPASSES BOTH SIDES OF A STREAM, BUFFER AVERAGING CAN BE APPLIED TO BOTH SIDES, BUT MUST BE APPLIED INDEPENDENTLY.

- 4.1.5. ARE THERE ANY WATER QUALITY RIPARIAN BUFFER ZONES NOT REQUIRED FOR STATE WATERS DUE TO A TDEC ARAP? (9.0)
 YES NO
- 4.1.6. ARE THERE WATER QUALITY RIPARIAN BUFFER ZONE EXEMPTIONS? (4.1.2.1) YES NO
IF YES, EXISTING CONDITIONS DESCRIPTION: N/A
- 4.1.7. EVERY ATTEMPT SHOULD BE MADE FOR CONSTRUCTION ACTIVITIES TO NOT TAKE PLACE WITHIN THE WATER QUALITY RIPARIAN BUFFER ZONE AND FOR EXISTING FORESTED AREAS TO BE PRESERVED. (5.4.2.)
- 4.1.8. BECAUSE OF HEAVY SEDIMENT LOAD ASSOCIATED WITH CONSTRUCTION SITE RUNOFF, WATER QUALITY RIPARIAN BUFFER ZONES ARE NOT SEDIMENT CONTROL MEASURES AND SHOULD NOT BE RELIED UPON AS PRIMARY SEDIMENT CONTROL MEASURES. THE WATER QUALITY RIPARIAN BUFFER ZONE SHALL BE ESTABLISHED BETWEEN THE TOP OF THE STREAM BANK AND THE DISTURBED CONSTRUCTION AREA.
- 4.1.9. WHERE IT IS NOT PRACTICABLE TO MAINTAIN A FULL WATER QUALITY RIPARIAN BUFFER, BEST MANAGEMENT PRACTICES (BMPs) PROVIDING EQUIVALENT PROTECTION AS THE NATURAL RIPARIAN ZONE MUST BE USED. A JUSTIFICATION FOR USE AND DESIGN EQUIVALENCY SHALL BE DOCUMENTED WITHIN THE SWPPP. THE ENVIRONMENTAL AND ROADWAY DESIGN DIVISIONS SHALL REVIEW AND APPROVE THIS REVISION OF THE SWPPP BEFORE DISTURBANCE OF THE SITE PROCEEDS, UNLESS PREVIOUSLY EXEMPT IN THE NPDES CGP. WHERE ISSUED, ARAP/401 REQUIREMENTS WILL PREVAIL IF IN CONFLICT WITH THESE BUFFER ZONE REQUIREMENTS.

4.2. RECEIVING WATERS OF THE UNITED STATES (WOTUS) (EPHEMERAL)
WILL CONSTRUCTION AND/OR EROSION AND SEDIMENT CONTROLS IMPACT ANY WOTUS (EPHEMERAL)? YES NO

RECEIVING WOTUS (EPHEMERAL) INFORMATION		
TDOT WOTUS LABEL	LOCATED WITHIN PROJECT LIMITS (YES OR NO)	LOCATED WITHIN 15-FT OF THE PROJECT LIMITS (YES OR NO)

4.2.1. ARE WATER QUALITY RIPARIAN BUFFER ZONES REQUIRED FOR WOTUS (4.1.2)? YES NO
IF YES, A 15 FOOT NATURAL WATER QUALITY RIPARIAN BUFFER ZONE ADJACENT TO AND ON BOTH SIDES OF THE RECEIVING EPHEMERAL STREAM IDENTIFIED AS A WOTUS (EPHEMERAL) BY THE U.S. ARMY CORPS OF ENGINEERS (USACE) OR THE ENVIRONMENTAL PROTECTION AGENCY SHALL BE PRESERVED TO THE MAXIMUM EXTENT PRACTICABLE DURING CONSTRUCTION ACTIVITIES AT THE SITE.

IF YES, THEY HAVE BEEN INCLUDED ON PLAN SHEET(S) N/A
4.2.2. ARE THERE ANY WATER QUALITY RIPARIAN BUFFER ZONES NOT REQUIRED FOR WOTUS (EPHEMERAL) DUE TO A USACE PERMIT? YES NO

4.3. OUTFALL INFORMATION
4.3.1. OUTFALL TABLE (3.5.1.e). SEE SWPPP SHEET S-g FOR OUTFALL INFORMATION.

4.3.2. HAVE ALL OUTFALLS BEEN LABELED ON THE EPSC PLAN SHEETS (3.5.1.h)? YES NO

4.3.3. HAVE ALL OUTFALLS BEEN LABELED ON A USGS TOPOGRAPHIC MAP INCLUDED IN THE "DOCUMENTATION AND PERMITS" BINDER (2.6.2)? YES NO

4.3.4. WHERE POSSIBLE, HAS NON-PROJECT RUN-ON BEEN DIVERTED AROUND OR THROUGH THE PROJECT TO ELIMINATE CONTACT WITH DISTURBED AREAS OF THE PROJECT AND SEPARATE IT FROM PROJECT RUN-OFF THEREBY REDUCING THE DRAINAGE AREA OF TO THE OUTFALLS IN THIS AREA?
 YES NO N/A

4.3.5. ARE EQUIVALENT MEASURES BEING SUBSTITUTED FOR A SEDIMENT BASIN(S)? YES NO N/A

4.3.6. A SEDIMENT BASIN OR EQUIVALENT MEASURE(S) WILL BE PROVIDED FOR ANY OUTFALL IN A DRAINAGE AREA:
OF TEN ACRES OR MORE FOR AN OUTFALL(S) THAT DOES NOT DISCHARGE TO A STATE STREAM WITH UNAVAILABLE PARAMETERS OR EXCEPTIONAL TENNESSEE WATERS. A TEMPORARY (OR PERMANENT) SEDIMENT BASIN OR EQUIVALENT CONTROL MEASURES THAT PROVIDES STORAGE FOR A CALCULATED VOLUME OF RUNOFF FROM A MINIMUM 2-YEAR/ 24-HOUR STORM EVENT, SHALL BE PROVIDED UNTIL FINAL STABILIZATION OF THE SITE. (3.5.3.3) OR
OF FIVE ACRES OR MORE FOR AN OUTFALL(S) THAT DISCHARGES TO A STATE STREAM WITH UNAVAILABLE PARAMETERS OR EXCEPTIONAL TENNESSEE WATERS. A TEMPORARY (OR PERMANENT) SEDIMENT BASIN THAT PROVIDES STORAGE FOR A CALCULATED VOLUME OF RUNOFF FROM A 5-YEAR/ 24-HOUR STORM EVENT AND RUNOFF FROM EACH ACRE DRAINED, OR EQUIVALENT CONTROL MEASURES, SHALL BE PROVIDED UNTIL FINAL STABILIZATION OF THE SITE. (5.4.1.g).

IN BOTH INSTANCES, THE ENVIRONMENTAL AND ROADWAY DESIGN DIVISIONS MAY BE CONTACTED TO REVIEW AND CONCUR WITH ANY REVISION OF THE SWPPP BEFORE DISTURBANCE OF THE OUTFALL PROCEEDS.

4.4. WETLAND INFORMATION
WILL CONSTRUCTION AND/OR EROSION AND SEDIMENT CONTROLS IMPACT ANY WETLANDS? YES NO

IF YES, THE STRUCTURAL EPSC MEASURES HAVE BEEN INCLUDED IN THE TOTAL PROJECT IMPACTS AND IN THE WATER QUALITY PERMITS.

WETLAND INFORMATION				
TDOT WETLAND LABEL	FROM STATION LT OR RT	TO STATION LT OR RT	TEMPORARY IMPACTS (AC)	PERMANENT IMPACTS (AC)

4.5. TOTAL MAXIMUM DAILY LOADS (TMDL) INFORMATION (3.5.10)
4.5.1. IS THIS PROJECT LOCATED IN A HUC-8 WATERSHED THAT MAINTAINS AN EPA APPROVED TMDL FOR SILTATION AND HABITAT ALTERATION?

YES NO

4.5.2. IF YES, IS THIS PROJECT LOCATED WITHIN A HUC-12 SUBWATERSHED WITH A WASTE LOAD ALLOCATION (WLA)?
 YES NO

4.5.3. IF YES, DOES THE PROJECT HAVE A DIRECT DISCHARGE TO A 303(d) LISTED STREAM FOR SILTATION OR HABITAT ALTERATION?
 YES NO

4.5.4. IF YES, HAS A SUMMARY OF THE CONSULTATION LETTER BEEN SUBMITTED/RECEIVED?
 YES NO

4.6. ECOLOGY INFORMATION (3.5.5.e)
DOES THE TDOT ENVIRONMENTAL BOUNDARIES REPORT SPECIFY SPECIAL NOTES TO BE ADDED TO THE PLAN SHEETS?
 YES NO

IF YES, THEY HAVE BEEN INCLUDED ON PLAN SHEET(S) N/A.

4.7. ENVIRONMENTAL COMMITMENTS
ARE THERE ANY NOTES ON THE ENVIRONMENTAL COMMITMENT SHEET?
 YES NO
IF YES, THEY HAVE BEEN INCLUDED ON PLAN SHEET(S) 1B.

5. **EROSION PREVENTION AND SEDIMENT CONTROL (EPSC) MEASURES** (3.5.3)

5.1. EPSC MEASURES MUST BE DESIGNED, INSTALLED AND MAINTAINED TO CONTROL STORMWATER VOLUME AND VELOCITY WITHIN THE SITE TO MINIMIZE EROSION (4.1.1).

5.2. EPSC MEASURES MUST CONTROL STORMWATER DISCHARGES, INCLUDING BOTH PEAK FLOWS AND TOTAL STORMWATER VOLUME, TO MINIMIZE EROSION AT OUTLETS, STREAM CHANNELS, AND STREAM BANKS. (4.1.1)

5.3. HAVE THE CONTROL MEASURES BEEN DESIGNED PER THE SIZE AND SLOPE OF THE DISTURBED DRAINAGE AREA (3.5.3.3)?
 YES NO

5.4. THE CONTROL MEASURES HAVE, AT A MINIMUM, BEEN DESIGNED FOR THE 2-YEAR, 24 HOUR STORM EVENT (3.5.3.3, 5.4.1.a).

5.5. ARE THE LIMITS OF DISTURBANCE CLEARLY MARKED ON THE EPSC PLANS (3.5.1.h)? YES NO

5.6. AREAS TO BE UNDISTURBED SHALL BE CLEARLY MARKED IN THE FIELD BEFORE CONSTRUCTION ACTIVITIES BEGIN.

5.7. UNLESS OTHERWISE NOTED IN THE PLANS, THE CONTRACTOR SHALL NOT CLEAR/DISTURB ANY AREA BEYOND 15 FEET FROM SLOPE LINES OR ROW/ EASEMENT LINE, WHICHEVER IS LESSER.

5.8. CLEARING, GRUBBING, AND OTHER DISTURBANCE TO RIPARIAN VEGETATION SHALL BE LIMITED TO THE MINIMUM NECESSARY FOR SLOPE CONSTRUCTION AND EQUIPMENT OPERATIONS. EXISTING VEGETATION, INCLUDING STREAM AND WETLAND BUFFERS (UNLESS PERMITTED), SHOULD BE PRESERVED TO THE MAXIMUM EXTENT POSSIBLE. UNNECESSARY VEGETATION REMOVAL IS PROHIBITED.

5.9. HAVE STAGED EPSC PLANS BEEN PREPARED FOR THE PROJECT (3.5.2)?
YES NO (IF YES, CHECK ONE BELOW)

5.9.1. PROJECT DISTURBED AREA IS THAN LESS THAN 5 ACRES (MINIMUM OF TWO STAGES OF EPSC PLANS)

5.9.2. PROJECT DISTURBED AREA IS GREATER THAN 5 ACRES (MINIMUM OF THREE STAGES OF EPSC PLANS)

5.10. STEEP SLOPES ARE DEFINED AS A NATURAL OR CREATED SLOPE OF 35% GRADE OR GREATER REGARDLESS OF HEIGHT. HAVE STEEP SLOPES BEEN MINIMALLY DISTURBED AND/OR PROTECTED BY CONVEYING RUNOFF NON-EROSIVELY AROUND OR OVER THE SLOPE (3.5.3.2) (10. "STEEP SLOPE")? YES NO N/A

5.11. THE STRUCTURAL EPSC MEASURES HAVE BEEN INCLUDED IN THE TOTAL PROJECT IMPACTS AND HAVE BEEN INCLUDED IN THE AQUATIC RESOURCE ALTERATION (ARAP) PERMIT OR SECTION 401 CERTIFICATION (3.5.1.j). REFER TO THE LIST OF APPLICABLE ENVIRONMENTAL PERMITS LOCATED ON SWPPP SHEET S-7. ALL PERMITS WILL BE MAINTAINED ON SITE WITHIN THE "DOCUMENTATION AND PERMITS" BINDER.

- 5.12. THE EPSC CONTROL MEASURES LISTED IN THE QUANTITIES TABLE ON SHEET 23A HAVE BEEN SELECTED IN ACCORDANCE WITH TDOT STANDARD DRAWINGS AND GOOD ENGINEERING PRACTICES (3.5.3.1.b).
- 5.13. EPSC MEASURES SHALL BE INSTALLED PER TDOT STANDARDS (i.e. STANDARD DRAWINGS) AND SHALL BE FUNCTIONAL PRIOR TO ANY EARTH MOVING OPERATIONS.
- 5.14. EPSC MEASURES WILL NOT BE INSTALLED WITHIN A STREAM WITHOUT FIRST OBTAINING APPROVAL FROM THE PERMITS SECTION.
- 5.15. TEMPORARY EPSC MEASURES MAY BE REMOVED AT THE BEGINNING OF THE WORKDAY, BUT MUST BE REINSTALLED AT THE END OF THE WORKDAY OR BEFORE A PRECIPITATION EVENT.
- 5.16. EPSC MEASURES LOCATED IN WOTUS (EPHEMERAL STREAMS) MUST BE CONSIDERED TEMPORARY AND SHALL BE REMOVED AT THE END OF CONSTRUCTION.
- 5.17. THE CONTRACTOR SHALL ESTABLISH AND MAINTAIN A PROACTIVE METHOD TO PREVENT THE OFF-SITE MIGRATION OR DEPOSIT OF SEDIMENT OFF THE PROJECT LIMITS (E.G. R.O.W., EASEMENTS, ETC.), INTO WATERS OF THE STATE/U.S., OR ONTO ROADWAYS USED BY THE PUBLIC. IF SEDIMENT ESCAPES THE CONSTRUCTION SITE, OFF-SITE ACCUMULATIONS OF SEDIMENT THAT HAVE NOT REACHED A STREAM MUST BE REMOVED TO A LEVEL SUFFICIENT TO MINIMIZE OFF-SITE IMPACTS (E.G., FUGITIVE SEDIMENT THAT HAS ESCAPED THE CONSTRUCTION SITE AND HAS COLLECTED IN A STREET MUST BE REMOVED SO THAT IT IS NOT SUBSEQUENTLY WASHED INTO STORM SEWERS AND STREAMS BY THE NEXT RAIN AND/OR SO THAT IT DOES NOT POSE A SAFETY HAZARD TO USERS OF PUBLIC STREETS). ARRANGEMENTS CONCERNING REMOVAL OF SEDIMENT ON ADJOINING PROPERTY MUST BE SETTLED WITH THE ADJOINING PROPERTY OWNER BEFORE REMOVAL OF SEDIMENT. SEDIMENT THAT MIGRATES INTO WATERS OF THE STATE/US SHALL NOT BE REMOVED WITHOUT GUIDANCE FROM TDOT ENVIRONMENTAL PERSONNEL.
- 5.18. OFFSITE VEHICLE TRACKING OF SEDIMENTS AND THE GENERATION OF DUST SHALL BE MINIMIZED. A STABILIZED CONSTRUCTION EXIT (A POINT OF ENTRANCE/EXIT TO THE CONSTRUCTION PROJECT) SHALL BE PROVIDED TO REDUCE THE TRACKING OF MUD AND DIRT ONTO PUBLIC ROADS BY CONSTRUCTION VEHICLES.
- 5.19. THE QUANTITIES REQUIRED FOR STABILIZED CONSTRUCTION EXITS PER TDOT STANDARDS HAVE BEEN SPECIFIED ON SHEET 23A (3.5.3.1.n).
- 5.20. DISCHARGES FROM DEWATERING ACTIVITIES ARE PROHIBITED UNLESS MANAGED BY APPROPRIATE CONTROLS THAT PROVIDE THE LEVEL OF TREATMENT (FILTRATION) NECESSARY TO COMPLY WITH PERMIT REQUIREMENTS. (4.1.4).
- 5.21. SETTLING BASINS AND SEDIMENT TRAPS SHALL BE PROPERLY DESIGNED PER THE SIZE OF THE DRAINAGE AREAS OR VOLUME OF WATER TO BE TREATED. TREATED WATER MUST BE DISCHARGED THROUGH A PIPE OR WELL VEGETATED OR LINED CHANNEL, SO THAT THE DISCHARGE DOES NOT CAUSE EROSION OR SEDIMENT TRANSPORT.
- 5.22. DISCHARGES FROM SEDIMENT BASINS AND IMPOUNDMENTS SHALL UTILIZE OUTLET STRUCTURES THAT ONLY WITHDRAW WATER FROM NEAR THE SURFACE OF THE BASIN OR IMPOUNDMENT. TREATED WATER MUST BE DISCHARGED THROUGH A PIPE, WELL- VEGETATED AND/OR LINED CHANNEL, SO THAT THE DISCHARGE DOES NOT CAUSE EROSION OR SEDIMENT TRANSPORT. (4.1.7).
- 5.23. THE DEWATERING OF WORK AREAS, TRENCHES, FOUNDATIONS, EXCAVATIONS, ETC. THAT HAVE COLLECTED STORMWATER, WATER FROM VEHICLE WASH AREAS, OR GROUNDWATER SHALL BE EITHER HELD IN SETTLING BASINS OR TREATED BY FILTRATION AND/OR CHEMICAL TREATMENT PRIOR TO ITS DISCHARGE. ALL CHEMICAL TREATMENTS MUST BE APPLIED PER SECTION 6 FLOCCULANTS.
- 5.24. WATER DISCHARGED FROM DEWATERING ACTIVITIES SHALL NOT CAUSE AN OBJECTIONABLE COLOR CONTRAST WITHIN THE RECEIVING NATURAL RESOURCE. WATER MUST BE HELD WITHIN SETTLING BASINS UNTIL IT IS AT LEAST AS CLEAR AS THE RECEIVING WATERS.
- 5.25. DEWATERING STRUCTURES, SEDIMENT FILTER BAGS, SEDIMENT BASINS AND TRAPS SHALL NOT BE LOCATED CLOSER THAN 30 FEET (60 FEET DESIRABLE VEGETATIVE BUFFER) FOR WATERS WITH UNAVAILABLE PARAMETERS AND EXCEPTIONAL TENNESSEE WATERS AND 15 FEET (30 FEET DESIRABLE VEGETATIVE BUFFER) FOR ALL OTHER FEATURES FROM THE TOP BANK OF A STREAM, WOTUS (EPHEMERAL), WETLAND OR OTHER NATURAL RESOURCE AND SHALL BE PROPERLY DESIGNED PER THE SIZE OF THE DRAINAGE AREAS OR VOLUME OF WATER TO BE TREATED.

- 5.26. STABILIZATION PRACTICES: PRE-CONSTRUCTION VEGETATIVE COVER WILL NOT BE DESTROYED, REMOVED OR DISTURBED MORE THAN 14 DAYS PRIOR TO GRADING OR EARTH MOVING UNLESS THE AREA WILL BE SEEDED AND/OR MULCHED OR OTHER TEMPORARY COVER IS INSTALLED (3.5.3.1.h).
- 5.27. STABILIZATION MEASURES WILL BE INITIATED AS SOON AS POSSIBLE WHERE CONSTRUCTION ACTIVITIES HAVE TEMPORARILY OR PERMANENTLY CEASED. TEMPORARY OR PERMANENT STABILIZATION WILL BE COMPLETED WITHIN 14 DAYS AFTER ACTIVITY HAS TEMPORARILY OR PERMANENTLY CEASED IN THAT AREA. PERMANENT STABILIZATION WILL REPLACE TEMPORARY MEASURES AS SOON AS PRACTICABLE (3.5.3.2).
- 5.28. PRIORITY SHALL BE GIVEN TO FINISHING OPERATIONS AND PERMANENT EPSC MEASURES OVER TEMPORARY EPSC MEASURES ON ALL PROJECTS. UNPACKED GRAVEL CONTAINING FINES (SILT AND CLAY SIZED PARTICLES) OR CRUSHER-RUN WILL NOT BE CONSIDERED A NON-ERODIBLE SURFACE
- 5.29. DELAYING THE PLANTING OF COVER VEGETATION UNTIL WINTER MONTHS OR DRY MONTHS SHOULD BE AVOIDED, IF POSSIBLE.
- 5.30. A SOIL ANALYSIS SHALL BE PERFORMED PRIOR TO THE APPLICATION OF FERTILIZERS TO ANY PORTION OF THE STE. SOILS SHOULD BE ANALYZED FOR pH, BUFFER VALUE, PHOSPHOROUS, POTASSIUM, CALCIUM AND MAGNESIUM. SOIL SAMPLES SHOULD BE REPRESENTATIVE OF THE AREA FOR WHICH FERTILIZER WILL BE APPLIED. SAMPLE TYPE SHOULD BE COLLECTED AND ANALYZED IN ACCORDANCE WITH THE UT EXTENSION "SOIL TESTING" BROCHURE PB1061. (4.1.5.)
- 5.31. FERTILIZERS SHALL BE APPLIED ONLY IN THE AMOUNTS SPECIFIED FROM THE ANALYSES. ONCE APPLIED, FERTILIZERS SHALL BE WORKED INTO THE SOIL TO LIMIT THE EXPOSURE TO STORMWATER.
- 5.32. STEEP SLOPES SHALL BE TEMPORARILY STABILIZED NOT LATER THAN 7 DAYS AFTER CONSTRUCTION ACTIVITY ON THE SLOPE HAS TEMPORARILY OR PERMANENTLY CEASED. (3.5.3.2).

6. FLOCCULANTS (3.5.3.1.b)

IS ADDITIONAL PHYSICAL OR CHEMICAL TREATMENT OF STORMWATER RUNOFF NECESSARY (5.4.1.a)? YES NO
 IF YES, THE FOLLOWING NOTES APPLY:

- 6.1. POLYACRYLAMIDES (PAM) SHALL BE OF THE ANIONIC OR NEUTRALLY CHARGED TYPE ONLY. PAM REQUIREMENTS ARE AS FOLLOWS:
 - 6.1.1. CATIONIC PAM IS NOT ALLOWED BECAUSE OF ITS TOXICITY TO FISH AND AQUATIC LIFE.
 - 6.1.2. ANIONIC AND NEUTRALLY CHARGED PAM SHALL MEET THE EPA AND FDA ACRYLAMIDE MONOMER LIMITS OF EQUAL TO OR LESS THAN 0.05% BY WEIGHT ACRYLAMIDE MONOMER.
 - 6.1.3. ANIONIC AND NEUTRALLY CHARGED PAM SHALL HAVE A DENSITY OF 10% TO 55% BY WEIGHT AND A MOLECULAR WEIGHT OF 16 TO 24 MG/MOLES.
 - 6.1.4. PAM MIXTURES SHALL BE NON-COMBUSTIBLE.
 - 6.1.5. PAM SHALL CONTAIN ONLY MANUFACTURER-RECOMMENDED ADDITIVES.
- 6.2. ALL PHYSICAL AND/OR CHEMICAL TREATMENT WILL BE RESEARCHED, APPLIED IN ACCORDANCE WITH MANUFACTURE'S GUIDELINES AND FULLY DESCRIBED ON THE EPSC PLANS (3.5.3.1.b).
- 6.3. FLOCCULANTS SHALL BE HANDLED IN ACCORDANCE WITH ALL OCCUPATIONAL SAFETY AND HEALTH ADMINISTRATION (OSHA) MATERIAL SAFETY DATA SHEET (MSDS) REQUIREMENTS AND SHALL BE APPLIED IN ACCORDANCE WITH THE MANUFACTURER'S RECOMMENDATIONS FOR THE SPECIFIED USE CONFORMING TO ALL FEDERAL, STATE AND LOCAL LAWS, RULES AND REGULATIONS.
- 6.4. ALL VENDORS AND SUPPLIERS OF FLOCCULANTS SHALL PRESENT OR SUPPLY A WRITTEN TOXICITY REPORT FOR BOTH ACUTE AND CHRONIC TOXICITY TESTS WHICH VERIFIES THAT THE FLOCCULANT EXHIBITS ACCEPTABLE TOXICITY PARAMETERS WHICH MEET OR EXCEED THE EPA REQUIREMENTS FOR THE STATE AND FEDERAL WATER QUALITY STANDARDS. WHOLE EFFLUENT TESTING DOES NOT MEET THIS REQUIREMENT AS PRIMARY REACTIONS HAVE OCCURRED AND TOXIC POTENTIALS HAVE BEEN REDUCED.
- 6.5. DO NOT APPLY FLOCCULANTS DIRECTLY TO, OR WITHIN 60 FEET, OF ANY STREAMS, WETLANDS, OR OTHER NATURAL WATER RESOURCE

LOCATED ON OR ADJACENT TO THE CONSTRUCTION SITE. DO NOT APPLY FLOCCULANTS DIRECTLY INTO WATERS CONTAINED WITHIN SEDIMENT PONDS OR TO SLOPES THAT PRODUCE RUNOFF DIRECTLY INTO A STREAM, WETLAND, OR OTHER NATURAL WATER RESOURCE. DO NOT APPLY FLOCCULANTS IMMEDIATELY AT A STORMWATER OUTFALL WHERE RUNOFF LEAVES THE PROJECT LIMITS.

- 6.6. BEFORE FLOCCULANTS CAN BE USED ON A CONSTRUCTION PROJECT, SITE-SPECIFIC SOIL SAMPLES MUST BE OBTAINED AND TESTED BY THE MANUFACTURER OR THEIR REPRESENTATIVE, TO IDENTIFY THE OPTIMUM FLOCCULANT TYPE AND APPLICATION RATE. SINCE FLOCCULANT EFFICACY IS HIGHLY DEPENDENT ON SOIL TYPE, SOIL SAMPLES WILL NEED TO BE OBTAINED FROM EACH SOIL HORIZON THAT WILL BE ACCESSED DURING EXCAVATION. FLOCCULANTS SHOULD BE APPLIED ON A CONSTRUCTION SITE IN ACCORDANCE WITH THE MANUFACTURER'S RECOMMENDED APPLICATION OR DOSAGE RATE. APPLICATION METHOD SHALL ENSURE UNIFORM COVERAGE TO THE TARGET AREA. DO NOT APPLY EMULSION FORMS OF FLOCCULANTS DIRECTLY TO STORMWATER RUNOFF OR TO STREAMS, WETLANDS, OR OTHER WATER RESOURCES DUE TO SURFACTANT TOXICITY.
- 6.7. FLOCCULANT POWDER MAY BE APPLIED BY A HAND SPREADER OR A MECHANICAL SPREADER. IF APPROVED BY THE MANUFACTURER, FLOCCULANT MAY BE MIXED WITH DRY SILICA SAND, FERTILIZER, SEED, OR OTHER SOIL AMENDMENTS TO AID IN SPREADING. FLOCCULANTS MAY ALSO BE APPLIED WITH A WATER TRUCK OR AS PART OF HYDRO-SEEDING. APPLICATION METHOD SHALL ENSURE UNIFORM COVERAGE TO THE TARGET AREA.
- 6.8. MANUFACTURER'S GUIDANCE SHOULD BE FOLLOWED FOR BLOCK, LOG AND SOCK SPACING CONFIGURATIONS. BEFORE FLOCCULANTS CAN BE USED ON A CONSTRUCTION PROJECT, SITE-SPECIFIC SOIL SAMPLES MUST BE OBTAINED AND TESTED BY THE MANUFACTURER OR THEIR REPRESENTATIVE, TO IDENTIFY THE OPTIMUM FLOCCULANT TYPE AND APPLICATION RATE. SINCE FLOCCULANT EFFICACY IS HIGHLY DEPENDENT ON SOIL TYPE, SOIL SAMPLES WILL NEED TO BE OBTAINED FROM EACH SOIL HORIZON THAT WILL BE ACCESSED DURING EXCAVATION. FLOCCULANTS SHOULD BE APPLIED ON A CONSTRUCTION SITE IN ACCORDANCE WITH THE MANUFACTURER'S RECOMMENDED APPLICATION OR DOSAGE RATE.

7. UTILITY RELOCATION

ARE UTILITIES INCLUDED IN THE CONTRACT? YES NO
 IF YES, THE FOLLOWING APPLY:

- 7.1. STORMWATER WHICH COLLECTS IN THE UTILITY TRENCH SHALL BE PUMPED INTO A DEWATERING STRUCTURE OR SEDIMENT FILTER BAG AND TREATED PRIOR TO DISCHARGE.
- 7.2. SILT FENCE SHALL BE INSTALLED ON THE DOWNGRADIENT SIDE OF STOCKPILED SOIL. ANY TRENCHING ACROSS WET WEATHER CONVEYANCES SHALL BE DONE DURING DRY CONDITIONS, REMOVED AND STABILIZED BY THE END OF THE WORK DAY.
- 7.3. UTILITY CROSSINGS IN ENVIRONMENTAL FEATURES SHALL BE CONSTRUCTED IN ACCORDANCE WITH TDOT STANDARDS AND NO WORK SHALL BE CONDUCTED IN FLOWING WATERS. ENVIRONMENTAL PERMITS APPLY TO UTILITIES IN THIS PROJECT. THE STATE CONTRACTOR SHALL COMPLY WITH ALL REQUIREMENTS OF THE PERMITS.
- 7.4. IT IS THE RESPONSIBILITY OF THE STATE UTILITY CONTRACTOR TO PROTECT EXPOSED EARTH FROM EROSION AND TO PROVIDE FOR CONTAINMENT OF SEDIMENT THAT MAY RESULT FROM THEIR WORK. PRIOR TO BEGINNING WORK, ADEQUATE EPSC MEASURES MUST BE IN PLACE TO TRAP ANY SEDIMENT THAT MAY TRAVEL OFF-SITE IN THE EVENT OF RAIN. DURING THE PROGRESSION OF THEIR WORK, EXPOSED EARTH AREAS SHALL BE STABILIZED AS SOON AS POSSIBLE TO PREVENT EROSION. AT NO TIME, SHALL EXPOSED EARTH RESULTING FROM THEIR OPERATIONS HAVE UNPROTECTED ACCESS TO FLOWING OFF-SITE AND ENTERING WATERS OF THE STATE/U.S.
- 7.5. FOR THE INSTALLATION OF BURIED UTILITIES (PIPES AND CABLES), TRENCHES SHALL BE BACKFILLED DAILY AS CONSTRUCTION PROCEEDS. BACKFILLED TRENCHES SHALL BE SEEDED AND MULCHED OR SODDED DAILY IF POSSIBLE, BUT NO LATER THAN FOURTEEN DAYS AFTER BEING BACKFILLED. ANY TEMPORARY SPOILS OF EXCAVATED EARTH SHALL BE LOCATED WITHIN TDOT EPSC MEASURES OR RECEIVE SEPARATE EPSC MEASURES. IF TRENCHES ARE NOT BACKFILLED OVERNIGHT, APPROPRIATE EPSC MEASURES WILL BE INSTALLED BY THE STATE UTILITY CONTRACTOR UNTIL THE TRENCH IS BACKFILLED.
- 7.6. IN REGARDS TO EPSC, TDEC REGULATIONS APPLY TO THE STATE UTILITY CONTRACTORS ON THIS PROJECT. THE STATE CONTRACTOR IS

RESPONSIBLE FOR EPSC MEASURES RELATED TO UTILITY CONSTRUCTION INCLUDED IN THE STATE CONTRACT.

- 7.7. TRENCHES FORMED FOR THE INSTALLATION OF BURIED UTILITIES MAY CAUSE STORMWATER RUNOFF TO CONCENTRATE AT THE TRENCH LINE. ADDITIONAL EPSC MEASURES MAY BE REQUIRED TO BE INSTALLED AS APPROVED BY THE TDOT PROJECT ENGINEER.
- 7.8. FOR THE INSTALLATION OF UNDERGROUND UTILITIES OUTSIDE OF THE TDOT RIGHT-OF-WAY, EPSC MEASURES SHALL BE INSTALLED PRIOR TO CLEARING (TRENCHING AND ASSOCIATED BLASTING) IN THOSE AREAS NECESSARY TO PREVENT SEDIMENT FROM LEAVING THE CONSTRUCTION AREA. THESE EPSC MEASURES SHALL REMAIN UNTIL THE BACKFILLED TRENCH IS STABILIZED WITH FINAL VEGETATIVE COVER.
- 7.9. THE UTILITY CONTRACTOR SHALL RESTORE ALL AFFECTED WET WEATHER CONVEYANCES TO THE EXISTING TOPOGRAPHIC CONDITIONS AS APPROVED BY THE TDOT RESPONSIBLE PARTY.
- 7.10. THE UTILITY CONTRACTOR WILL PROVIDE APPROPRIATE EPSC MEASURES TO REPLACE ONSITE EPSC MEASURES REMOVED TO FACILITATE THE INSTALLATION OF UTILITIES. REPLACEMENT OF EPSC MEASURES WILL BE COORDINATED WITH THE TDOT ENGINEER BEFORE COMMENCING WORK.
- 7.11. FOR UTILITY CROSSINGS THAT UTILIZE HORIZONTAL DIRECTIONAL DRILLING THE FOLLOWING SHALL APPLY:
 - 7.11.1. THE ENTRY AND EXIT POINTS SHALL BE AT LEAST 50 FEET FROM THE STREAM BANK OR WETLAND BOUNDARY.
 - 7.11.2. THE DEPTH OF BORE BELOW THE STREAMBED IS SUFFICIENT TO PREVENT RELEASE OF DRILLING FLUID, BASED ON THE PARENT MATERIAL.
 - 7.11.3. A SITE-SPECIFIC CONTINGENCY AND CONTAINMENT PLAN FOR INADVERTENT RELEASE OF DRILLING FLUID SHALL BE ESTABLISHED PRIOR TO COMMENCEMENT OF WORK. THIS PLAN SHALL BE SUBMITTED TO THE TDOT PROJECT ENGINEER AND THE TDOT ENVIRONMENTAL DIVISION PERMITS AND/OR COMPLIANCE AND FIELD SERVICES OFFICE FOR REVIEW AND APPROVAL.

8. MAINTENANCE AND INSPECTION

- 8.1. INSPECTION PRACTICES (3.5.8)
 - 8.1.1. PROJECT EPSC INSPECTORS AND ENGINEERS (INCLUDING TDOT STAFF, CONSULTANTS AND CONTRACTOR STAFF) RESPONSIBLE FOR THE INSPECTION, IMPLEMENTATION, MAINTENANCE, AND/OR REPAIR OF EPSC MEASURES SHALL MEET ONE OF THE FOLLOWING REQUIREMENTS (3.5.8.1.):
 - 8.1.1.1. SUCCESSFULLY COMPLETED THE TDOT EPSC INSPECTIONS TRAINING AND ANY RECERTIFICATION COURSE AS REQUIRED.
 - 8.1.1.2. SUCCESSFULLY COMPLETED THE TDEC "LEVEL I - FUNDAMENTALS OF EROSION PREVENTION AND SEDIMENT CONTROL" COURSE AND ANY RECERTIFICATION COURSES AS REQUIRED.
 - 8.1.1.3. BE A CURRENT TN LICENSED PROFESSIONAL ENGINEER OR LANDSCAPE ARCHITECT.
 - 8.1.1.4. BE A CURRENT CERTIFIED PROFESSIONAL IN EROSION AND SEDIMENT CONTROL (CPESC).
 - 8.1.1.5. SUCCESSFULLY COMPLETED TDEC "LEVEL II - DESIGN PRINCIPLES FOR EROSION PREVENTION AND SEDIMENT CONTROL FOR CONSTRUCTION SITES" COURSE AND ANY RECERTIFICATION COURSE AS REQUIRED.
 - 8.1.2. THE TDOT CONSTRUCTION ENGINEER (OR THEIR DULY AUTHORIZED REPRESENTATIVE) AND THE CONTRACTOR'S SITE SUPERINTENDENT ARE RESPONSIBLE FOR INSPECTIONS. MAINTENANCE AND REPAIR ACTIVITIES ARE THE RESPONSIBILITY OF THE CONTRACTOR. THE TDOT CONSTRUCTION ENGINEER OR THEIR DULY AUTHORIZED REPRESENTATIVE SHALL COMPLETE THE EPSC INSPECTION REPORTS AND DISTRIBUTE COPIES PER THE CONTRACT.
 - 8.1.3. THE INSPECTOR SHALL CONDUCT PRE-CONSTRUCTION INSPECTIONS TO VERIFY AREAS THAT ARE NOT TO BE DISTURBED HAVE BEEN MARKED IN THE SWPPP AND IN THE FIELD BEFORE LAND DISTURBANCE ACTIVITIES BEGIN AND INITIAL MEASURES HAVE BEEN INSTALLED (10 "INSPECTOR") (3.5.1.o).

- 8.1.4. EPSC CONTROLS SHALL BE INSPECTED TO VERIFY MEASURES HAVE BEEN INSTALLED AND MAINTAINED IN ACCORDANCE WITH TDOT STANDARD DRAWINGS, SPECIFICATIONS, AND GOOD ENGINEERING PRACTICES. EPSC INSPECTIONS SHALL BE DOCUMENTED ON THE TDOT EPSC INSPECTION REPORT FORM AND THE TDEC CONSTRUCTION STORMWATER INSPECTION CERTIFICATION (TWICE-WEEKLY INSPECTIONS) FORM.
- 8.1.5. OUTFALL POINTS SHALL BE INSPECTED TO ASCERTAIN WHETHER EPSC MEASURES ARE EFFECTIVE IN PREVENTING EROSION AND CONTROLLING SEDIMENT INCLUDING SIGNIFICANT IMPACTS TO SURROUNDING STATE WATERS, WOTUS (EPHEMERAL), WETLANDS, OTHER NATURAL RESOURCES AND ADJACENT PROPERTY OWNERS. WHERE DISCHARGE LOCATIONS ARE INACCESSIBLE, NEARBY DOWN GRADIENT LOCATIONS SHALL BE INSPECTED. LOCATIONS WHERE VEHICLES ENTER AND EXIT THE SITE SHALL BE INSPECTED FOR EVIDENCE OF OFF-SITE ROADWAY SEDIMENT TRACKING.
- 8.1.6. INSPECTIONS WILL BE CONDUCTED AT LEAST TWICE EVERY CALENDAR WEEK AND AT LEAST 72 HOURS APART (3.5.8.2.a). A CALENDAR WEEK IS DEFINED AS SUNDAY THROUGH SATURDAY. QUALITY ASSURANCE INSPECTIONS OF TDOT EPSC, NPDES AND WATER QUALITY PERMIT REQUIREMENTS SHALL BE PERFORMED PER THE TDOT ENVIRONMENTAL DIVISION COMPLIANCE AND FIELD SERVICES OFFICE.
- 8.1.7. THE FREQUENCY OF EPSC INSPECTIONS MAY BE REDUCED TO ONCE A MONTH WHERE SITES OR PORTIONS OF SITES HAVE BEEN TEMPORARILY STABILIZED UNTIL CONSTRUCTION ACTIVITIES RESUME WITH WRITTEN NOTIFICATION BY THE TDOT REGIONAL ENGINEER TO TDEC NASHVILLE CENTRAL OFFICE AND SUBSEQUENT TDEC APPROVAL. WRITTEN NOTIFICATION MUST INCLUDE THE INTENT TO CHANGE FREQUENCY AND JUSTIFICATION (3.5.8.2.a).
- 8.1.8. ALL DISTURBED AREAS OF THE SITE THAT HAVE NOT BEEN FINALLY STABILIZED, AREAS USED FOR MATERIAL STORAGE THAT ARE EXPOSED TO PRECIPITATION, STRUCTURAL CONTROL MEASURES, AND LOCATIONS WHERE VEHICLES ENTER OR EXIT THE SITE, AND EACH OUTFALL WILL BE INSPECTED (3.5.8.2.b).
- 8.1.9. THE INSPECTOR WILL OVERSEE THE REQUIREMENTS OF OTHER CONSTRUCTION-RELATED WATER QUALITY PERMITS (I.E. TDEC ARAP, USACE SECTION 404, AND TVA SECTION 26a PERMITS) FOR CONSTRUCTION ACTIVITIES AROUND WATERS OF THE STATE (10 "INSPECTOR").
- 8.1.10. THE SWPPP WILL BE REVISED AS NECESSARY BASED ON THE RESULTS OF THE INSPECTION. REVISION(S) WILL BE RECORDED WITHIN 7 DAYS OF THE INSPECTION. REVISION(S) WILL BE IMPLEMENTED WITHIN 14 DAYS OF THE INSPECTION (3.5.8.2.e AND 3.5.8.2.f).
- 8.1.11. DOCUMENTATION OF INSPECTIONS WILL BE MAINTAINED ON SITE IN THE "DOCUMENTATION AND PERMITS" BINDER. REPORTS WILL BE SUBMITTED TO THE TDOT PROJECT ENGINEER PER THE CONTRACT.
- 8.1.12. THESE INSPECTION REQUIREMENTS DO NOT APPLY TO DEFINABLE AREAS OF THE SITE THAT HAVE MET FINAL STABILIZATION REQUIREMENTS AND HAVE BEEN NOTED IN THE SWPPP.
- 8.1.13. TRAINED CERTIFIED INSPECTORS SHALL COMPLETE INSPECTION TO THE BEST OF THEIR ABILITY. FALSIFYING INSPECTION RECORDS OR OTHER DOCUMENTATION OR FAILURE TO COMPLETE INSPECTION DOCUMENTATION SHALL RESULT IN A VIOLATION OF THIS PERMIT AND ANY OTHER APPLICABLE ACTS OR RULES (3.5.8.2.h).
- 8.2. DULY AUTHORIZED REPRESENTATIVE (7.7.3)

THE PROJECT ENGINEER MAY DELEGATE AN INDIVIDUAL AND/OR CONSULTANT TO SIGN EPSC INSPECTIONS REPORTS. FOR SATISFYING SIGNATORY REQUIREMENTS FOR EPSC INSPECTION REPORTS, THE PROJECT ENGINEER AND NEWLY AUTHORIZED INDIVIDUAL ACCEPTING RESPONSIBILITY MUST COMPLETE AND SIGN THE TDOT CONSTRUCTION DIVISION EPSC DELEGATION OF AUTHORITY.
- 8.3. MAINTENANCE PRACTICES (3.5.3.1 AND 3.5.7)
 - 8.3.1. ALL CONTROLS WILL BE MAINTAINED IN GOOD AND EFFECTIVE OPERATING ORDER AND IN ACCORDANCE WITH TDOT STANDARD DRAWINGS AND GOOD ENGINEERING PRACTICES. (3.5.3.1.b)

- 8.3.2. MAINTENANCE AND REPAIR ACTIVITIES ARE THE RESPONSIBILITY OF THE CONTRACTOR.
- 8.3.3. UPON CONCLUSION OF THE INSPECTIONS, EPSC MEASURES FOUND TO BE INEFFECTIVE SHALL BE REPAIRED, REPLACED, OR MODIFIED BEFORE THE NEXT RAIN EVENT, IF POSSIBLE, BUT IN NO CASE, MORE THAN 24 HOURS AFTER THE INSPECTION OR WHEN THE CONDITION IS IDENTIFIED. IF THE REPAIR, REPLACEMENT OR MODIFICATION IS NOT PRACTICAL WITHIN THE 24-HOUR TIMEFRAME, WRITTEN DOCUMENTATION PROVIDED BY THE CONTRACTOR SHALL BE PLACED IN THE FIELD DIARY AND EPSC INSPECTION REPORT. AN ESTIMATED REPAIR, REPLACEMENT OR MODIFICATION SCHEDULE SHALL BE DOCUMENTED WITHIN 24 HOURS AFTER IDENTIFICATION. (3.5.8.2.e).
- 8.3.4. SEDIMENT SHALL BE REMOVED FROM SEDIMENT CONTROL STRUCTURES (SEDIMENT TRAPS, SILT FENCE, SEDIMENT BASINS, OTHER CONTROLS, ETC.) WHEN THE DESIGN CAPACITY HAS BEEN REDUCED BY FIFTY PERCENT (50%). (3.5.3.1.e).
- 8.3.5. DURING SEDIMENT REMOVAL, THE CONTRACTOR SHALL TAKE STEPS TO ENSURE THAT STRUCTURAL COMPONENTS OF EPSC MEASURES ARE NOT DAMAGED AND THUS MADE INEFFECTIVE. IF DAMAGE DOES OCCUR, THE CONTRACTOR SHALL REPAIR THE EPSC MEASURES AT THE CONTRACTOR'S OWN EXPENSE.
- 8.3.6. CHECK DAMS WILL BE INSPECTED FOR STABILITY. SEDIMENT WILL BE REMOVED WHEN DEPTH REACHES ONE-HALF (½) THE HEIGHT OF THE DAM.
- 8.3.7. SEDIMENT REMOVED FROM SEDIMENT CONTROL STRUCTURES SHALL BE PLACED AND TREATED IN A MANNER SO THAT THE SEDIMENT IS CONTAINED WITHIN THE PROJECT LIMITS, DOES NOT MIGRATE INTO FEATURES REMOVED FROM, AND DOES NOT MIGRATE ONTO ADJACENT PROPERTIES AND/OR INTO WATERS OF THE STATE/U.S.
- 8.3.8. LITTER, CONSTRUCTION DEBRIS, AND CONSTRUCTION CHEMICALS EXPOSED TO STORMWATER WILL BE PICKED UP AND REMOVED FROM STORMWATER EXPOSURE PRIOR TO ANTICIPATED STORM EVENTS OR BEFORE BEING CARRIED OFF THE SITE BY WIND, OR OTHERWISE PREVENTED FROM BECOMING A POLLUTANT SOURCE FOR STORMWATER DISCHARGES. AFTER USE, MATERIALS USED FOR EROSION CONTROL WILL BE REMOVED (3.5.3.1.f).
- 8.3.9. ALL SEEDED AREAS WILL BE CHECKED FOR BARE SPOTS, EROSION WASHOUTS, AND VIGOROUS GROWTH FREE OF SIGNIFICANT WEED INFESTATIONS.

9. SITE ASSESSMENTS (3.1.2)

QUALITY ASSURANCE SITE ASSESSMENTS OF EROSION PREVENTION AND SEDIMENT CONTROLS SHALL BE PERFORMED PER THE TDOT ENVIRONMENTAL DIVISION COMPLIANCE AND FIELD SERVICES OFFICE GUIDELINES.

10. STORMWATER MANAGEMENT (3.5.4)

- 10.1. STORMWATER MANAGEMENT WILL BE HANDLED BY TEMPORARY CONTROLS OUTLINED IN THIS SWPPP AND ANY PERMANENT CONTROLS NEEDED TO MEET PERMANENT STORMWATER MANAGEMENT NEEDS IN THE POST CONSTRUCTION PERIOD. PERMANENT CONTROLS WILL BE DEPICTED ON THE PLANS AND NOTED AS PERMANENT.
- 10.2. DESCRIBE ANY SPECIFIC POST-CONSTRUCTION MEASURES THAT WILL CONTROL VELOCITY, POLLUTANTS, AND/OR EROSION (3.5.4): N/A.
- 10.3. OTHER ITEMS NEEDING CONTROL (3.5.5)

CONSTRUCTION MATERIALS: THE FOLLOWING MATERIALS OR SUBSTANCES ARE EXPECTED TO BE PRESENT ON THE SITE DURING THE CONSTRUCTION PERIOD. (CHECK ALL THAT APPLY).

 - LUMBER, GUARDRAIL, TRAFFIC CONTROL DEVICES
 - CONCRETE WASHOUT
 - PIPE CULVERTS (I.E. CONCRETE, CORRUGATED METAL, HDPE, ETC.)
 - MINERAL AGGREGATES, ASPHALT
 - EARTH
 - LIQUID TRAFFIC STRIPING MATERIALS, PAINT
 - ROCK
 - CURING COMPOUND

- EXPLOSIVES
- OTHER _____

THESE MATERIALS WILL BE HANDLED AS NOTED IN THIS SWPPP.

- 10.4. WASTE MATERIALS (3.5.5.b)
WASTE MATERIAL (EARTH, ROCK, ASPHALT, CONCRETE, ETC.) NOT REQUIRED FOR THE CONSTRUCTION OF THE PROJECT WILL BE DISPOSED OF BY THE CONTRACTOR IN ACCORDANCE WITH THE TDOT CONSTRUCTION CONTRACT AND FEDERAL AND STATE REGULATIONS. IMPACTS TO WATERS OF THE STATE/U.S. SHALL BE AVOIDED IF POSSIBLE. IF UNAVOIDABLE, THE CONTRACTOR WILL OBTAIN ALL NECESSARY PERMITS INCLUDING, BUT NOT LIMITED TO NPDES, AQUATIC RESOURCES ALTERATION PERMIT(S) CORPS OF ENGINEERS SECTION 404 PERMITS, AND TVA SECTION 26A PERMITS TO DISPOSE OF WASTE MATERIALS.
- 10.5. HAZARDOUS WASTE (3.5.5.c) (7.9)
ALL HAZARDOUS WASTE MATERIALS WILL BE DISPOSED OF IN A MANNER WHICH IS COMPLIANT WITH LOCAL OR STATE REGULATIONS. SITE PERSONNEL WILL BE INSTRUCTED IN THESE PRACTICES, AND THE INDIVIDUAL DESIGNATED AS THE CONTRACTOR'S ON-SITE REPRESENTATIVE WILL BE RESPONSIBLE FOR SEEING THAT THESE PRACTICES ARE FOLLOWED. THE CONTRACTOR WILL OBTAIN ALL NECESSARY PERMITS TO DISPOSE OF HAZARDOUS MATERIAL.
- 10.6. SANITARY WASTE (3.5.5.b)
PORTABLE SANITARY FACILITIES WILL BE PROVIDED ON ALL CONSTRUCTION SITES. SANITARY WASTE WILL BE COLLECTED FROM THE PORTABLE UNITS IN A TIMELY MANNER BY A LICENSED WASTE MANAGEMENT CONTRACTOR OR AS REQUIRED BY ANY LOCAL REGULATIONS. THE CONTRACTOR WILL OBTAIN ALL NECESSARY PERMITS TO DISPOSE OF SANITARY WASTE.
- 10.7. OTHER MATERIALS
THE FOLLOWING MATERIALS OR SUBSTANCES ARE EXPECTED TO BE PRESENT ON THE SITE DURING THE CONSTRUCTION PERIOD. (CHECK ALL THAT APPLY).
- FERTILIZERS AND LIME
 - PESTICIDES AND/OR HERBICIDES
 - DIESEL AND GASOLINE
 - MACHINERY LUBRICANTS (OIL AND GREASE)
- THESE MATERIALS WILL BE HANDLED AS NOTED IN THIS SWPPP.

11. NON-STORMWATER DISCHARGES (3.5.9)

- 11.1. THE FOLLOWING NON-STORMWATER DISCHARGES ARE ANTICIPATED DURING THE CONSTRUCTION OF THIS PROJECT (CHECK ALL THAT APPLY):
- DEWATERING OF WORK AREAS OF COLLECTED STORMWATER AND GROUND WATER.
 - WATERS USED TO WASH VEHICLES (OF DUST AND SOIL) WHERE DETERGENTS ARE NOT USED AND DETENTION AND/OR FILTERING IS PROVIDED BEFORE THE WATER LEAVES THE SITE.
 - WATER USED TO CONTROL DUST. (3.5.3.1.n)
 - POTABLE WATER SOURCES INCLUDING WATERLINE FLUSHING FROM WHICH CHLORINE HAS BEEN REMOVED TO THE MAXIMUM EXTENT PRACTICABLE.
 - UNCONTAMINATED GROUNDWATER OR SPRING WATER.
 - FOUNDATION OR FOOTING DRAINS WHERE FLOWS ARE NOT CONTAMINATED WITH POLLUTANTS.
 - OTHER: _____
- 11.2. ALL ALLOWABLE NON-STORMWATER DISCHARGES WILL BE DIRECTED TO STABLE DISCHARGE STRUCTURES PRIOR TO LEAVING THE SITE. FILTERING OR CHEMICAL TREATMENT MAY BE NECESSARY PRIOR TO DISCHARGE. ALL CHEMICAL TREATMENTS MUST BE APPLIED PER SECTION 6 FLOCCULANTS.
- 11.3. THE DESIGN OF ALL IMPACTED EPSC MEASURES RECEIVING FLOW FROM ALLOWABLE NON-STORMWATER DISCHARGES MUST BE DESIGNED TO HANDLE THE VOLUME OF THE NON-STORMWATER COMPONENT.
- 11.4. WASH DOWN OR WASTE DISCHARGE OF CONCRETE TRUCKS WILL NOT BE PERMITTED ON-SITE UNLESS PROPER SETTLEMENT AREAS HAVE BEEN PROVIDED IN ACCORDANCE WITH BOTH STATE AND FEDERAL REGULATIONS.

- 11.5. ARE ANY DISCHARGES ASSOCIATED WITH INDUSTRIAL (NON-CONSTRUCTION STORMWATER) ACTIVITY EXPECTED (3.5.1.i)?
- YES NO
- IF YES, SPECIFY THE LOCATION OF THE ACTIVITY AND ITS PERMIT NUMBER: N/A

12. SPILL PREVENTION, MANAGEMENT AND NOTIFICATION (3.5.5.c, 5.1)

- 12.1. SPILL PREVENTION (3.5.5.c)
- 12.1.1. CONTRACTOR'S BULK FUEL AND PETROLEUM PRODUCTS STORED ON-SITE OR ADJACENT TO THE R.O.W. IN ABOVE GROUND STORAGE TANKS WITH AGGREGATE STORAGE CAPACITY IN EXCESS OF 1,320 GALLONS SHALL HAVE SECONDARY CONTAINMENT.
- 12.1.2. THE CONTRACTOR SHALL BE RESPONSIBLE FOR PREPARING A SPILL PREVENTION CONTROL AND COUNTERMEASURE (SPCC) PLAN AS REQUIRED BY TDOT SPECIAL PROVISION 107FP (REGARDING WATER QUALITY AND STORM WATER PERMITS) AND THE LAW.
- 12.1.3. THE CONTRACTOR SHALL BE SOLELY RESPONSIBLE FOR OBTAINING ANY NECESSARY LOCAL, STATE, AND FEDERAL PERMITS. THE SPCC PLAN AND/OR PERMITS SHALL BE KEPT ON-SITE AND A COPY PROVIDED TO THE TDOT CONSTRUCTION ENGINEER.
- 12.2. MATERIAL MANAGEMENT
- 12.2.1. HOUSEKEEPING
ONLY NEEDED PRODUCTS WILL BE STORED ON-SITE BY THE CONTRACTOR. EXCEPT FOR BULK MATERIALS THE CONTRACTOR WILL STORE ALL MATERIALS UNDER COVER AND IN APPROPRIATE CONTAINERS. PRODUCTS MUST BE STORED IN ORIGINAL CONTAINERS AND LABELED. MATERIAL MIXING WILL BE CONDUCTED IN ACCORDANCE WITH THE MANUFACTURER'S RECOMMENDATIONS. WHEN POSSIBLE, ALL PRODUCTS WILL BE USED COMPLETELY BEFORE PROPERLY DISPOSING OF THE CONTAINER OFF SITE. THE MANUFACTURER'S DIRECTIONS FOR DISPOSAL OF MATERIALS AND CONTAINERS WILL BE FOLLOWED. THE CONTRACTOR'S SITE SUPERINTENDENT WILL INSPECT MATERIALS STORAGE AREAS REGULARLY TO ENSURE PROPER USE AND DISPOSAL. DUST GENERATED WILL BE CONTROLLED IN AN ENVIRONMENTALLY SAFE MANNER. VEGETATION AREAS NOT ESSENTIAL TO THE CONSTRUCTION PROJECT WILL BE PRESERVED AND MAINTAINED AS NOTED ON THE PLANS.
- 12.2.2. HAZARDOUS MATERIALS
PRODUCTS WILL BE KEPT IN ORIGINAL CONTAINERS UNLESS THE CONTAINER IS NOT RE-SEALABLE. ORIGINAL LABELS AND MATERIAL SAFETY DATA SHEETS WILL BE RETAINED IN A SAFE PLACE TO RELAY IMPORTANT PRODUCT INFORMATION. IF SURPLUS PRODUCT MUST BE DISPOSED OF, MANUFACTURER'S LABEL DIRECTIONS FOR DISPOSAL WILL BE FOLLOWED. MAINTENANCE AND REPAIR OF ALL EQUIPMENT AND VEHICLES INVOLVING OIL CHANGES, HYDRAULIC SYSTEM DRAIN DOWN, DE-GREASING OPERATIONS, FUEL TANK DRAIN DOWN AND REMOVAL, AND OTHER ACTIVITIES WHICH MAY RESULT IN THE ACCIDENTAL RELEASE OF CONTAMINANTS WILL BE CONDUCTED ON AN IMPERVIOUS SURFACE AND UNDER COVER DURING WET WEATHER TO PREVENT THE RELEASE OF CONTAMINANTS ONTO THE GROUND. WHEEL WASH WATER WILL BE COLLECTED AND ALLOWED TO SETTLE OUT SUSPENDED SOLIDS PRIOR TO DISCHARGE. WHEEL WASH WATER WILL NOT BE DISCHARGED DIRECTLY INTO ANY STORMWATER SYSTEM OR STORMWATER TREATMENT SYSTEM. POTENTIAL pH-MODIFYING MATERIALS SUCH AS: BULK CEMENT, CEMENT KILN DUST, FLY ASH, NEW CONCRETE WASHINGS AND CURING WATERS, CONCRETE PUMPING, AND MIXER WASHOUT WATERS WILL BE COLLECTED ON SITE AND MANAGED TO PREVENT CONTAMINATION OF STORMWATER RUNOFF.
- 12.3. PRODUCT SPECIFIC PRACTICES
- 12.3.1. PETROLEUM PRODUCTS: ALL ON-SITE VEHICLES WILL BE MONITORED FOR LEAKS AND RECEIVE REGULAR PREVENTIVE MAINTENANCE TO REDUCE THE CHANCE OF LEAKAGE. PETROLEUM PRODUCTS WILL BE STORED IN TIGHTLY SEALED CONTAINERS WHICH ARE CLEARLY LABELED.
- 12.3.2. FERTILIZERS: FERTILIZERS WILL BE APPLIED ONLY IN THE AMOUNTS SPECIFIED BY THE SOIL ANALYSIS OR TDOT. ONCE APPLIED, FERTILIZERS WILL BE WORKED INTO THE SOIL TO LIMIT

THE EXPOSURE TO STORMWATER. FERTILIZERS WILL BE STORED IN AN ENCLOSED AREA UNDER COVER. THE CONTENTS OF PARTIALLY USED FERTILIZER BAGS WILL BE TRANSFERRED TO SEALABLE CONTAINERS TO AVOID SPILLS.

- 12.3.3. PAINTS: ALL CONTAINERS WILL BE TIGHTLY SEALED AND STORED WHEN NOT REQUIRED FOR USE. THE EXCESS WILL BE DISPOSED OF PER THE MANUFACTURER'S INSTRUCTIONS AND APPLICABLE STATE AND LOCAL REGULATIONS.
- 12.3.4. CONCRETE TRUCKS: CONTRACTORS WILL PROVIDE DESIGNATED TRUCK WASHOUT AREAS ON THE SITE. THESE AREAS MUST BE SELF CONTAINED AND NOT CONNECTED TO ANY STORMWATER OUTLET OF THE SITE. UPON COMPLETION OF CONSTRUCTION WASHOUT AREAS WILL BE PROPERLY STABILIZED.
- 12.4. SPILL MANAGEMENT
IN ADDITION TO THE PREVIOUS HOUSEKEEPING AND MANAGEMENT PRACTICES, THE FOLLOWING PRACTICES WILL BE FOLLOWED FOR SPILL PREVENTION AND CLEANUP IF NECESSARY:
- 12.4.1. FOR ALL HAZARDOUS MATERIALS STORED ON SITE, THE MANUFACTURER'S RECOMMENDED METHODS FOR SPILL CLEAN UP WILL BE CLEARLY POSTED. SITE PERSONNEL WILL BE MADE AWARE OF THE PROCEDURES AND THE LOCATIONS OF THE INFORMATION AND CLEANUP SUPPLIES.
- 12.4.2. APPROPRIATE CLEANUP MATERIALS AND EQUIPMENT WILL BE MAINTAINED BY THE CONTRACTOR IN THE MATERIALS STORAGE AREA ON-SITE AND UNDER COVER. AS APPROPRIATE, EQUIPMENT AND MATERIALS MAY INCLUDE ITEMS SUCH AS BOOMS, DUST PANS, MOPS, RAGS, GLOVES, GOGGLES, KITTY LITTER, SAND, SAWDUST, AND PLASTIC AND METAL TRASH CONTAINERS SPECIFICALLY FOR CLEAN UP PURPOSES.
- 12.4.3. ALL SPILLS WILL BE CLEANED IMMEDIATELY AFTER DISCOVERY AND THE MATERIALS DISPOSED OF PROPERLY. THE SPILL AREA WILL BE KEPT WELL VENTILATED AND PERSONNEL WILL WEAR APPROPRIATE PROTECTIVE CLOTHING TO PREVENT INJURY FROM CONTACT WITH A HAZARDOUS SUBSTANCE.
- 12.4.4. THE CONTRACTOR'S RESPONSIBLE PARTY WILL BE THE SPILL PREVENTION AND CLEANUP COORDINATOR. THE CONTRACTOR IS RESPONSIBLE FOR ENSURING THAT THE SITE SUPERINTENDENT HAS HAD APPROPRIATE TRAINING FOR HAZARDOUS MATERIALS HANDLING, SPILL MANAGEMENT, AND CLEANUP.
- 12.4.5. IF SPILLS REPRESENT AN IMMINENT THREAT OF ESCAPING THE SITE AND ENTERING RECEIVING WATERS, PERSONNEL WILL RESPOND IMMEDIATELY TO CONTAIN THE RELEASE AND NOTIFY THE SUPERINTENDENT AFTER THE SITUATION HAS BEEN STABILIZED.
- 12.4.6. IF AN OIL SHEEN IS OBSERVED ON SURFACE WATER (E.G. SETTLING PONDS, DETENTION PONDS, SWALES), ACTION WILL BE TAKEN IMMEDIATELY TO REMOVE THE MATERIAL CAUSING THE SHEEN. THE CONTRACTOR WILL USE APPROPRIATE MATERIALS TO CONTAIN AND ABSORB THE SPILL. THE SOURCE OF THE OIL SHEEN WILL ALSO BE IDENTIFIED AND REMOVED OR REPAIRED AS NECESSARY TO PREVENT FURTHER RELEASES.
- 12.4.7. IF A SPILL OCCURS THE CONTRACTOR'S SITE SUPERINTENDENT SHALL BE RESPONSIBLE FOR COMPLETING THE SPILL REPORTING FORM AND FOR REPORTING THE SPILL TO THE TDOT CONSTRUCTION ENGINEER AND/OR PROJECT ENGINEER. ALL SPILLS MUST BE REPORTED TO THE APPROPRIATE AGENCY, AND MEASURES SHALL BE TAKEN IMMEDIATELY TO PREVENT THE POLLUTION OF WATERS OF THE STATE/U.S., INCLUDING GROUNDWATER, SHOULD A SPILL OCCUR.
- 12.4.8. APPROPRIATE CLEANUP MATERIALS AND EQUIPMENT SHALL BE MAINTAINED BY THE CONTRACTOR IN THE MATERIALS STORAGE AREA ON-SITE AND UNDER COVER. SPILL RESPONSE EQUIPMENT SHALL BE INSPECTED AND MAINTAINED BY THE CONTRACTOR AS NECESSARY TO REPLACE ANY MATERIALS USED IN SPILL RESPONSE ACTIVITIES.
- 12.5. SPILL NOTIFICATION (5.1)
WHERE A RELEASE CONTAINING A HAZARDOUS SUBSTANCE IN AN AMOUNT EQUAL TO, OR MORE THAN A REPORTABLE QUANTITY ESTABLISHED UNDER EITHER 40 CFR 117 OR 40 CFR 302 OCCURS DURING A 24 HOUR PERIOD:
- 12.5.1. THE TDOT PROJECT ENGINEER IS RESPONSIBLE FOR NOTIFYING THE REGIONAL PROJECT DEVELOPMENT OFFICE (E.G.

- TRANSPORTATION ENVIRONMENTAL STUDIES SPECIALIST) AS SOON AS HE OR SHE HAS KNOWLEDGE OF THE DISCHARGE.
- 12.5.2. THE TDOT REGIONAL PROJECT DEVELOPMENT OFFICE WILL NOTIFY THE LOCAL TDEC ENVIRONMENTAL FIELD OFFICE AND ANY OTHER APPLICABLE REGULATORY AGENCIES WITHIN 24 HOURS OF THE SPILL.
 - 12.5.3. IN ADDITION TO ANY FOLLOW UP NOTIFICATIONS REQUIRED BY FEDERAL LAW, A WRITTEN DESCRIPTION OF THE RELEASE, DATE OF RELEASE AND CIRCUMSTANCES LEADING TO THE RELEASE, WHAT ACTIONS WERE TAKEN TO MITIGATE EFFECTS OF THE RELEASE, AND STEPS TAKEN TO MINIMIZE THE CHANCE OF FUTURE OCCURRENCES WILL BE SUBMITTED TO THE APPROPRIATE TDEC ENVIRONMENTAL FIELD OFFICE WITHIN 14 DAYS OF KNOWLEDGE OF THE RELEASE.
 - 12.5.4. THE SWPPP MUST BE MODIFIED WITHIN 14 DAYS OF KNOWLEDGE OF THE RELEASE PROVIDING A DESCRIPTION OF THE RELEASE, CIRCUMSTANCES LEADING TO THE RELEASE, AND THE DATE OF RELEASE. THE SWPPP WILL BE REVIEWED AND MODIFIED AS NECESSARY TO IDENTIFY MEASURES TO PREVENT THE REOCCURRENCE OF SUCH RELEASES AND TO RESPOND TO SUCH RELEASES.

13. RECORD-KEEPING

- 13.1. REQUIRED RECORDS
 - TDOT OR THEIR DULY AUTHORIZED REPRESENTATIVE WILL MAINTAIN AT THE SITE THE FOLLOWING RECORDS OF CONSTRUCTION ACTIVITIES (3.5.3.1.m) (4.1.5.) (6.2.1):
 - 13.1.1. THE DATES WHEN MAJOR GRADING ACTIVITIES OCCUR.
 - 13.1.2. THE DATES WHEN CONSTRUCTION ACTIVITIES TEMPORARILY OR PERMANENTLY CEASE ON A PORTION OF THE SITE.
 - 13.1.3. THE DATES WHEN STABILIZATION MEASURES ARE INITIATED.
 - 13.1.4. RECORDS EPSC INSPECTION REPORTS AND CORRECTIVE MEASURES.
 - 13.1.5. RECORDS OF QUALITY ASSURANCE SITE ASSESSMENTS.
 - 13.1.6. COPY OF SITE EPSC INSPECTOR'S CERTIFICATION AND/OR LICENSING
 - 13.1.7. COPY OF REQUIRED SOIL ANALYSIS
 - 13.1.8. A COPY OF ANY REGULATORY CORRESPONDENCE REGARDING THE EFFECTIVENESS OF THE SWPPP OR EPSC CONTROLS.
- 13.2. RAINFALL MONITORING PLAN (3.5.3.1.o):
 - 13.2.1. EQUIPMENT
 - AT A MINIMUM, THE CONTRACTOR WILL INSTALL A FENCE POST TYPE RAIN GAUGE TO MEASURE RAINFALL. THE STANDARD FENCE POST RAIN GAUGE WILL BE A WEDGE-SHAPED GAUGE THAT MEASURES UP TO 6 INCHES OF RAINFALL. AN ENGLISH SCALE WILL BE PROVIDED ON ONE FACE, WITH A METRIC SCALE ON THE OTHER FACE. GRADUATION WILL BE PERMANENTLY MOLDED IN DURABLE WEATHER-RESISTANT PLASTIC. THE MINIMUM GRADUATION WILL BE 0.01 INCH (OR 0.1MM). AN ALUMINUM BRACKET WITH SCREWS MAY BE USED TO MOUNT THE GAUGE ON A WOODEN SUPPORT.
 - 13.2.2. LOCATION
 - THE RAIN GAUGE WILL BE LOCATED AT OR ALONG THE PROJECT SITE, AS DEFINED IN THE NOI OF THE NPDES PERMIT, IN AN OPEN AREA SUCH THAT THE MEASUREMENT WILL NOT BE INFLUENCED BY OUTSIDE FACTORS (I.E. OVERHANGS, GUTTER, TREES, ETC.). AT LEAST ONE RAIN GAUGE PER LINEAR MILE IS REQUIRED ALONG (AS MEASURED ALONG THE CENTERLINE OF THE PRIMARY ALIGNMENT) THE PROJECT WHERE CLEARING, GRUBBING, EXCAVATION, GRADING, CUTTING OR FILLING IS ACTIVELY PERFORMED, OR EXPOSED SOIL HAS NOT YET BEEN PERMANENTLY STABILIZED.
 - 13.2.3. METHODS
 - RAINFALL MONITORING WILL BE INITIATED PRIOR TO CLEARING, GRUBBING, EXCAVATION, GRADING, CUTTING, OR FILLING, EXCEPT AS SUCH MINIMAL CLEARING MAY BE NECESSARY TO INSTALL A RAIN GAUGE IN AN OPEN AREA. THE RAIN GAUGE WILL BE CHECKED FOR OPERATIONAL SOUNDNESS DAILY (DURING NORMAL BUSINESS HOURS) IN WET TIMES AND WEEKLY IN DRY TIMES. GAUGES WILL BE REPAIRED OR REPLACED ON THE SAME DAY IF FOUND TO BE NON-OPERATIONAL OR MISSING.

- 13.2.4. EACH RAIN GAUGE WILL BE READ (FOR DETAILED RECORDS OF RAINFALL) AND EMPTIED AFTER EVERY RAINFALL EVENT OCCURRING ON THE PROJECT SITE AT APPROXIMATELY THE SAME TIME OF THE DAY (DURING NORMAL BUSINESS HOURS). DURING PERIODS OF DRY CONDITIONS, IT WILL NOT BE NECESSARY TO READ THE RAIN GAUGE EVERY DAY. IN LIEU OF THIS REQUIREMENT ON WEEKENDS AND ON STATE HOLIDAYS, THE RAIN GAUGES CAN BE EMPTIED THE NEXT BUSINESS DAY AND A REFERENCE SITE USED FOR A RECORD OF DAILY AMOUNT OF PRECIPITATION FOR THOSE DAYS. A REFERENCE SITE IS THE DOCUMENTATION FROM THE CLOSEST GAUGE WITHIN PROXIMITY OF THE PROJECT FROM A RECOGNIZED SOURCE SUCH AS THE NOAA NATIONAL WEATHER SERVICE.
- 13.2.5. DETAILED RECORDS WILL BE RECORDED OF RAINFALL EVENTS INCLUDE DATES, AMOUNTS OF RAINFALL, AND THE APPROXIMATE DURATION (OR THE STARTING AND ENDING TIMES). THE RAINFALL RECORDS SHALL BE RECORDED ON THE TDOT RAINFALL RECORD SHEET AND SHALL BE MAINTAINED IN THE "DOCUMENTATION AND PERMITS" BINDER.
- 13.2.6. IF THE RAINFALL EVENT IS STILL IN PROGRESS AT THE DAILY RECORDING TIME, THE GAUGE WILL BE EMPTIED AND THE RECORD WILL INDICATE THAT THE STORM EVENT WAS STILL IN PROGRESS.
- 13.2.7. RAIN GAUGE INFORMATION (DETAILED RECORDS), INCLUDING THE LOCATION OF THE NEAREST OUTFALL, WILL BE RECORDED ON THE EPSC INSPECTION REPORT FORMS AT THE TIME OF MEASUREMENT.
- 13.3. KEEPING PLANS CURRENT (3.4)
 - 13.3.1. THE EPSC PLAN IS TO SERVE AS AN INITIAL GUIDE FOR SITE PERSONNEL AS THE CONSTRUCTION PROCESS DEVELOPS. IT MUST BE AMENDED, MODIFIED, AND UPDATED WHENEVER EPSC INSPECTIONS INDICATE, OR WHERE STATE OR FEDERAL REGULATORY OFFICIALS DETERMINE EPSC MEASURES ARE PROVING INEFFECTIVE IN ELIMINATING OR SIGNIFICANTLY MINIMIZING POLLUTANT SOURCES OR ARE OTHERWISE NOT ACHIEVING THE GENERAL OBJECTIVES OF CONTROLLING POLLUTANTS IN STORMWATER DISCHARGES ASSOCIATED WITH THE CONSTRUCTION ACTIVITY.
 - 13.3.2. THE STAGES DEPICTED WITHIN THE EPSC PLANS MAY NOT COINCIDE WITH THE ACTUAL STAGES OF CONSTRUCTION ESTABLISHED BY THE CONTRACTOR DURING CONSTRUCTION, THUS MODIFICATIONS WILL BE REQUIRED TO ENSURE THE EPSC PLAN IS MAINTAINED TO DEPICT CURRENT SITE CONDITIONS. IT SHOULD BE MAINTAINED SUCH THAT IT WILL ALWAYS REFLECT THE MEASURES THAT ARE INSTALLED DURING THE VARIOUS STAGES OF CONSTRUCTION. IT IS IMPRACTICAL TO DETERMINE ALL THE INTERMEDIATE STAGES OF CONSTRUCTION THAT WILL OCCUR, THUS THESE DOCUMENTS MUST BE UPDATED THROUGHOUT THE LIFE OF THE CONSTRUCTION PROJECT.
 - 13.3.3. THE TDOT EPSC INSPECTOR OR THEIR DULY AUTHORIZED REPRESENTATIVE WILL MODIFY AND UPDATE THE SWPPP WHEN ANY OF THE FOLLOWING CONDITIONS APPLY:
 - 13.3.3.1. WHENEVER THERE IS A CHANGE IN THE SCOPE OF THE PROJECT THAT WOULD BE EXPECTED TO HAVE A SIGNIFICANT EFFECT ON THE DISCHARGE OF POLLUTANTS TO THE WATERS OF THE STATE AND WHICH HAS NOT OTHERWISE BEEN ADDRESSED IN THE SWPPP;
 - 13.3.3.2. WHENEVER INSPECTIONS OR INVESTIGATIONS BY SITE OPERATORS, LOCAL, STATE, OR FEDERAL OFFICIALS INDICATE THE SWPPP IS PROVING INEFFECTIVE IN ELIMINATING OR SIGNIFICANTLY MINIMIZING POLLUTANTS FROM CONSTRUCTION ACTIVITY SOURCES, OR IS OTHERWISE NOT ACHIEVING THE GENERAL OBJECTIVES OF CONTROLLING POLLUTANTS IN STORMWATER DISCHARGES ASSOCIATED WITH CONSTRUCTION ACTIVITY; WHERE LOCAL, STATE, OR FEDERAL OFFICIALS DETERMINE THAT THE SWPPP IS INEFFECTIVE IN ELIMINATING OR SIGNIFICANTLY MINIMIZING POLLUTANT SOURCES, A COPY OF ANY CORRESPONDENCE TO THAT EFFECT MUST BE RETAINED IN THE SWPPP;
 - 13.3.3.3. WHEN ANY NEW OPERATOR AND/OR SUB-OPERATOR IS ASSIGNED OR RELIEVED OF THEIR RESPONSIBILITY TO IMPLEMENT A PORTION OF THE SWPPP;
 - 13.3.3.4. TO PREVENT A NEGATIVE IMPACT TO LEGALLY PROTECTED STATE OR FEDERALLY LISTED OR

- PROPOSED THREATENED OR ENDANGERED AQUATIC FAUNA;
- 13.3.3.5. WHEN THERE IS A CHANGE IN CHEMICAL TREATMENT METHODS INCLUDING: USE OF DIFFERENT TREATMENT CHEMICALS, DIFFERENT DOSAGE OR APPLICATION RATES OR A DIFFERENT AREA OF APPLICATION NOT SPECIFIED ON THE EPSC PLANS.
- 13.3.3.6. ALL SWPPP REVISION(S) SHALL BE RECORDED WITHIN 7 DAYS BY THE PROJECT EPSC INSPECTOR.
- 13.3.3.7. WHEN A TMDL IS DEVELOPED FOR THE RECEIVING WATERS FOR A POLLUTANT OF CONCERN (SILTATION AND/OR HABITAT ALTERATION), CONSTRUCTION SHALL NOTIFY THE PERMITS SECTION FOR PROPER COORDINATION.
- 13.4. MAKING PLANS ACCESSIBLE
 - 13.4.1. TDOT WILL RETAIN A COPY OF THIS SWPPP (INCLUDING A COPY OF THE "DOCUMENTATION AND PERMITS" BINDER AT THE CONSTRUCTION SITE (OR OTHER LOCATION ACCESSIBLE TO TDEC AND THE PUBLIC) FROM THE DATE CONSTRUCTION COMMENCES TO THE DATE OF FINAL STABILIZATION. TDOT WILL HAVE A COPY OF THE SWPPP AVAILABLE AT THE LOCATION WHERE WORK IS OCCURRING ON-SITE FOR THE USE OF OPERATORS AND THOSE IDENTIFIED AS HAVING RESPONSIBILITIES UNDER THE SWPPP WHENEVER THEY ARE ON THE CONSTRUCTION SITE (6.2).
 - 13.4.2. PRIOR TO THE INITIATION OF LAND DISTURBING ACTIVITIES AND UNTIL THE SITE HAS MET THE FINAL STABILIZATION CRITERIA, TDOT OR THEIR DULY AUTHORIZED REPRESENTATIVE WILL POST A NOTICE NEAR THE MAIN ENTRANCE OF THE CONSTRUCTION SITE WITH THE FOLLOWING INFORMATION (3.3.3) (6.2.1):
 - 13.4.2.1. A COPY OF THE NOTICE OF COVERAGE (NOC) WITH THE NPDES PERMIT NUMBER FOR THE PROJECT;
 - 13.4.2.2. THE INDIVIDUAL NAME, COMPANY NAME, E-MAIL ADDRESS (IF APPLICABLE) AND TELEPHONE NUMBER OF THE LOCAL PROJECT SITE OWNER AND OPERATOR CONTACT;
 - 13.4.2.3. A BRIEF DESCRIPTION OF THE PROJECT; AND
 - 13.4.2.4. THE LOCATION OF THE SWPPP.
 - 13.4.3. ALL INFORMATION DESCRIBED IN SECTION 13.4.2 MUST BE MAINTAINED IN LEGIBLE CONDITION. IF POSTING THIS INFORMATION NEAR A MAIN ENTRANCE IS INFEASIBLE DUE TO SAFETY CONCERNS, THE NOTICE SHALL BE POSTED IN A LOCAL BUILDING. THE NOTICE MUST BE PLACED IN A PUBLICLY ACCESSIBLE LOCATION WHERE CONSTRUCTION IS ACTIVELY UNDERWAY AND MOVED AS NECESSARY.
- 13.5. NOTICE OF TERMINATION (8.0)
 - 13.5.1. WHEN ALL STORMWATER DISCHARGES FROM CONSTRUCTION ACTIVITIES THAT ARE AUTHORIZED BY THE PERMIT ARE ELIMINATED BY FINAL STABILIZATION, THE TDOT REGIONAL ENGINEER WILL SUBMIT A NOTICE OF TERMINATION (NOT) THAT IS SIGNED IN ACCORDANCE WITH THE PERMIT TO THE TDEC CENTRAL OFFICE IN NASHVILLE, TN.
 - 13.5.2. FOR THE PURPOSES OF THE CERTIFICATION REQUIRED BY THE NOT, THE ELIMINATION OF STORMWATER DISCHARGES ASSOCIATED WITH THE CONSTRUCTION ACTIVITY MEANS THE
 - 13.5.2.1. ALL EARTH-DISTURBING ACTIVITIES ON THE SITE ARE COMPLETED AND ALL DISTURBED SOILS AT THE PORTION OF THE CONSTRUCTION SITE WHERE THE OPERATOR HAD CONTROL HAVE BEEN FINALLY STABILIZED; AND
 - 13.5.2.2. ALL CONSTRUCTION MATERIALS, WASTE AND WASTE HANDLING DEVICES, AND ALL EQUIPMENT, AND VEHICLES THAT WERE USED DURING CONSTRUCTION HAVE BEEN REMOVED AND PROPERLY DISPOSED; AND
 - 13.5.2.3. ALL STORMWATER CONTROLS THAT WERE INSTALLED AND MAINTAINED DURING CONSTRUCTION, EXCEPT THOSE THAT ARE INTENDED FOR LONG-TERM USE FOLLOWING TERMINATION OF PERMIT COVERAGE, HAVE BEEN REMOVED; AND

- 13.5.2.4. ALL POTENTIAL POLLUTANTS AND POLLUTANT GENERATING ACTIVITIES ASSOCIATED WITH CONSTRUCTION HAVE BEEN REMOVED; AND
- 13.5.2.5. THE PERMITTEE HAS IDENTIFIED WHO IS RESPONSIBLE FOR ONGOING MAINTENANCE OF ANY STORMWATER CONTROLS LEFT ON THE SITE FOR LONG-TERM USE FOLLOWING TERMINATION OF PERMIT COVERAGE; AND
- 13.5.2.6. TEMPORARY EPSC MEASURES HAVE BEEN OR WILL BE REMOVED AT AN APPROPRIATE TIME TO ENSURE FINAL STABILIZATION IS MAINTAINED; AND
- 13.5.2.7. ALL STORMWATER DISCHARGES ASSOCIATED WITH CONSTRUCTION ACTIVITIES FROM THE IDENTIFIED SITE THAT ARE AUTHORIZED BY A NPDES GENERAL PERMIT HAVE OTHERWISE BEEN ELIMINATED FROM THE PORTION OF THE CONSTRUCTION SITE WHERE THE OPERATOR HAD CONTROL.

13.6. RETENTION OF RECORDS (6.2)
 TDOT WILL RETAIN COPIES OF THE SWPPP, ALL REPORTS REQUIRED BY THE PERMIT, AND RECORDS OF ALL DATA USED TO COMPLETE THE NOTICE OF INTENT FOR THE PROJECT FOR A PERIOD OF AT LEAST THREE (3) YEARS FROM THE DATE THE NOT WAS FILED.

14. SITE WIDE/PRIMARY PERMITTEE CERTIFICATION (7.7.5)

I CERTIFY UNDER PENALTY OF LAW THAT THIS DOCUMENT AND ALL ATTACHMENTS WERE PREPARED BY ME, OR UNDER MY DIRECTION OR SUPERVISION. THE SUBMITTED INFORMATION IS TO THE BEST OF MY KNOWLEDGE AND BELIEF, TRUE, ACCURATE, AND COMPLETE. I AM AWARE THAT THERE ARE SIGNIFICANT PENALTIES FOR SUBMITTING FALSE INFORMATION, INCLUDING THE POSSIBILITY OF FINE AND IMPRISONMENT. AS SPECIFIED IN TENNESSEE CODE ANNOTATED SECTION 39-16-702(a)(4), THIS DECLARATION IS MADE UNDER PENALTY OF PERJURY.

Scott Medlin
Digitally signed by Scott Medlin
 DN: cn=Scott Medlin, o=TDOT, ou=Region 2 Environmental Tech Office, email=Scott.Medlin@tdot.gov, c=US
 Date: 2018.11.01 08:29:24 -0400

 AUTHORIZED TDOT PERSONNEL SIGNATURE (3.3.1)

SCOTT MEDLIN

 PRINTED NAME

TRANSPORTATION MANAGER 2, REGION 2 ENVIRONMENTAL TECH OFFICE

 TITLE

10-31-18

 DATE

15. SECONDARY PERMITTEE (OPERATOR) CERTIFICATION (7.7.6)

I CERTIFY UNDER PENALTY OF LAW THAT I HAVE REVIEWED THIS DOCUMENT, ANY ATTACHMENTS, AND THE SWPPP REFERENCED ABOVE. BASED ON MY INQUIRY OF THE CONSTRUCTION SITE OWNER/DEVELOPER IDENTIFIED ABOVE AND/OR MY INQUIRY OF THE PERSON DIRECTLY RESPONSIBLE FOR ASSEMBLING THIS NOI AND SWPPP, I BELIEVE THE INFORMATION SUBMITTED IS ACCURATE. I AM AWARE THAT THIS NOI, IF APPROVED, MAKES THE ABOVE-DESCRIBED CONSTRUCTION ACTIVITY SUBJECT TO NPDES PERMIT NUMBER TNR100000, AND THAT CERTAIN OF MY ACTIVITIES ONSITE ARE THEREBY REGULATED. I AM AWARE THAT THERE ARE SIGNIFICANT PENALTIES, INCLUDING THE POSSIBILITY OF FINE AND IMPRISONMENT FOR KNOWING VIOLATIONS, AND FOR FAILURE TO COMPLY WITH THESE PERMIT REQUIREMENTS. AS SPECIFIED IN TENNESSEE CODE ANNOTATED SECTION 39-16-702(a)(4), THIS DECLARATION IS MADE UNDER PENALTY OF PERJURY.

 AUTHORIZED TDOT PERSONNEL SIGNATURE (3.3.1)

 PRINTED NAME

 TITLE

 DATE

16. ENVIRONMENTAL PERMITS (9.0)

LIST ALL ENVIRONMENTAL PERMITS AND EXPIRATION DATES FOR PROJECT (TO BE COMPLETED AT THE ENVIRONMENTAL PRECONSTRUCTION MEETING BY TDOT CONSTRUCTION OR THEIR DULY AUTHORIZED REPRESENTATIVE):

ENVIRONMENTAL PERMITS			
PERMIT	YES OR NO	PERMIT OR TRACKING NO.	EXPIRATION DATE*
TDEC ARAP	YES	NRS18.140	4-6-20
CORPS OF ENGINEERS (USACE)	NO		
TVA 26A	NO		
TDEC CGP	YES		
OTHER:	NO		

*THE TDOT ENVIRONMENTAL DIVISION MUST BE NOTIFIED SIX MONTHS PRIOR TO PERMIT EXPIRATION DATE.

OUTFALL TABLE (3.5.1.d, 5.4.1.g)

EPSC STAGE	OUTFALL LABEL	SUB OUT-FALL	STAGE 1 STATION CL, LT OR RT	STAGE 2 STATION CL, LT OR RT	STAGE 1 SLOPE WITHIN ROW (%)	STAGE 2 SLOPE WITHIN ROW (%)	STAGE 1 DRAINAGE AREA (AC)	STAGE 2 DRAINAGE AREA (AC)	SEDIMENT BASIN OR EQUIVALENT MEASURE(S) (YES, NO OR N/A)	RECEIVING RESOURCE (TDOT EBR LABEL) OR OTHER	COMMENTS
1, 2	1		54+45 RT	54+45 RT	3.17	3.94	0.02	0.02	NO	STR-1	
1, 2	2		55+65 RT	55+20 RT	1.00	4.00	0.10	0.10	NO	STR-1	
1, 2	3		54+65 LT	54+75 LT	3.17	3.94	0.02	0.02	NO	STR-1	
1, 2	4		55+55 LT	55+55 LT	1.00	4.00	0.10	0.10	NO	STR-1	
1	5		51+20 RT		4.30		0.16		NO	STR-1	
1	6		53+70 LT		2.67		0.06		NO	STR-1	

ALL UNUSED FIELDS WITHIN THE OUTFALL TABLE ARE TO BE SHADED, HATCHED, OR REMOVED TO INDICATE THEIR NON-USAGE.

"SEE SHEET NO.1A FOR INDEX"

STATE OF TENNESSEE
DEPARTMENT OF TRANSPORTATION
BUREAU OF ENGINEERING

FENTRESS COUNTY

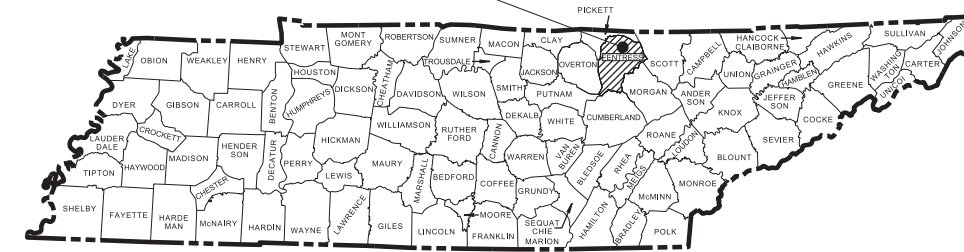
ROTTEN FORK ROAD
BRIDGE OVER ROTTEN FORK WOLF RIVER
@ L.M. 0.135

CONSTRUCTION

STATE HIGHWAY NO. N/A F.A.H.S. NO. N/A

TENN.	YEAR	SHEET NO.
	2018	1
FED. AID PROJ. NO.	BRZ-2500(26)	
STATE PROJ. NO.	25945-3478-94	

PROJECT LOCATION: FENTRESS COUNTY



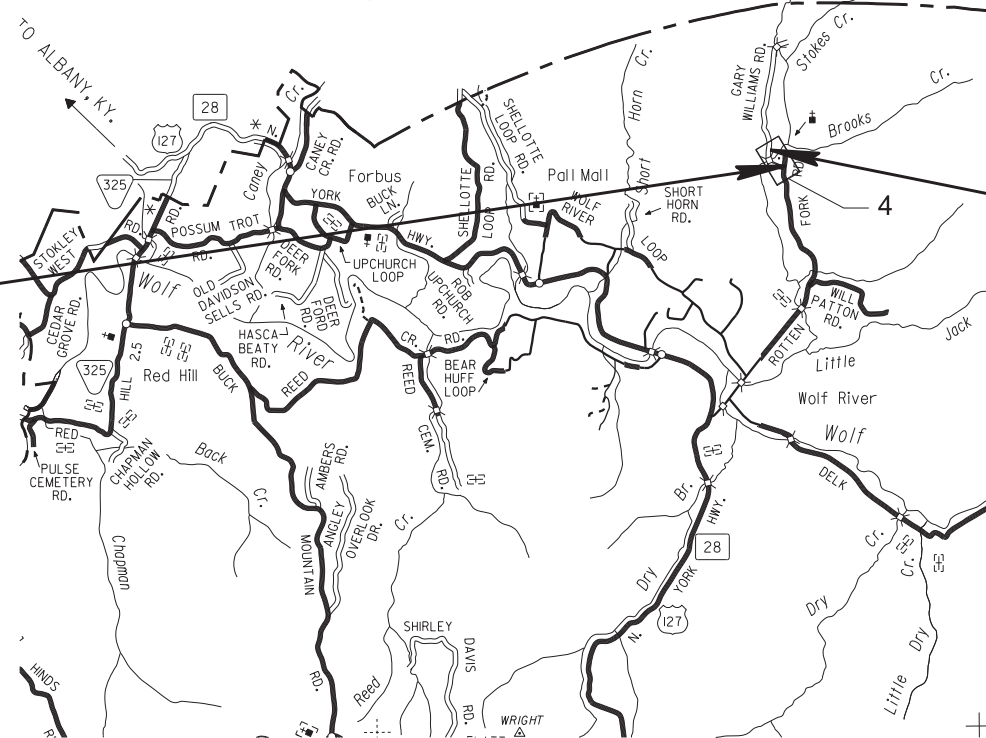
NO EQUATIONS
NO EXCLUSIONS

CONSTRUCTION
FIELD
REVIEW

25945-3478-94
BEGIN PROJECT NO. BRZ-2500(26) CONST.
STA. 49+39.57 ROTTEN FORK
N 813,268.5944 E 2,279,047.7576

25945-3478-94
END PROJECT NO. BRZ-2500(26) CONST.
STA. 59+10.00 ROTTEN FORK
N 813,899.6280 E 2,278,437.0771

SEALED BY



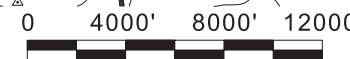
SPECIAL NOTES

PROPOSALS MAY BE REJECTED BY THE COMMISSIONER IF ANY OF THE UNIT PRICES CONTAINED THEREIN ARE OBVIOUSLY UNBALANCED, EITHER EXCESSIVE OR BELOW THE REASONABLE COST ANALYSIS VALUE.

THIS PROJECT TO BE CONSTRUCTED UNDER THE STANDARD SPECIFICATIONS OF THE TENNESSEE DEPARTMENT OF TRANSPORTATION DATED JANUARY 1, 2015 AND ADDITIONAL SPECIFICATIONS AND SPECIAL PROVISIONS CONTAINED IN THE PLANS AND IN THE PROPOSAL CONTRACT.

CE MANAGER: DAVID YATES, PE
DESIGNER : JOSEPH L. DELORENZO CHECKED BY : JASON INGRAM, P.E.
P.E. NO. 25945-2478-94
PIN NO. 117282.00

SCALE: 1"= 4000'



R.O.W. LENGTH 00.183 MILES

SURVEY 03-21-16		TRAFFIC DATA	
UPDATE: 05-31-16		ADT (2017)	70
UPDATE: 11-21-16		ADT (2037)	90
		DHV (2037)	12
		D	65 - 35
		T (ADT)	1.0 %
		T (DHV)	1.0 %
		V	30 MPH

NAD83(95) STATE PLANE COORDINATES ARE BASED ON GPS MEASUREMENTS OBTAINED 03-01-14 USING GEOID 03 MODEL AND GROUND ADJUSTED BY A FACTOR OF 1.00002

APPROVED: *Paul D. Degges*
PAUL D. DEGGES, CHIEF ENGINEER

DATE: _____

APPROVED: *John Schroer*
JOHN SCHROER, COMMISSIONER

U.S. DEPARTMENT OF TRANSPORTATION
FEDERAL HIGHWAY ADMINISTRATION

APPROVED: _____
DIVISION ADMINISTRATOR DATE

TYPE	YEAR	PROJECT NO.	SHEET NO.
R.O.W.	2017	BRZ-2500(26)	1B
CONST.	2018	BRZ-2500(26)	1B

PROJECT COMMITMENTS

COMMITMENT ID	SOURCE DIVISON	DESCRIPTION	STA. / LOCATION
EDHZ001	Environmental Division, Hazardous Materials	An Asbestos Containing Material (ACM) survey was conducted on Bridge No. 250A0730001, Rotten Fork Road, Bridge over Rotten Fork Wolf River, LM 0.135 (25-0A073-00.14). No ACM was detected. No special accommodations for demolition and waste disposal are anticipated for these structures and the material can be deposited in a C&D landfill. Prior to the demolition or rehabilitation of any structure (bridge or building), the contractor is required to submit the National Emission Standards for Hazardous Air Pollutants standard 10- day notice of demolition to the TDEC Division of Air Pollution Control (Standard Specifications for Road and Bridge Construction (January 1, 2015) Sections 107.08 D and 202.03).	Bridge No. 250A0730001

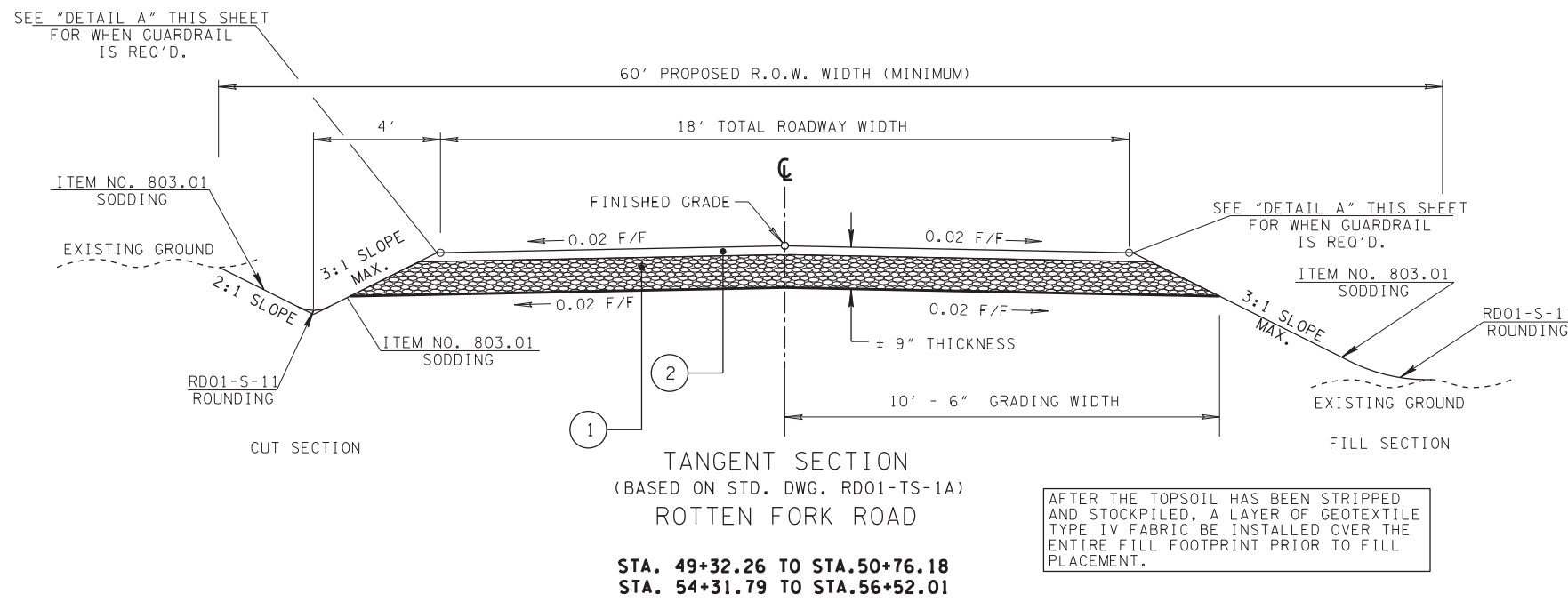
CONSTRUCTION
FIELD
REVIEW

SEALED BY

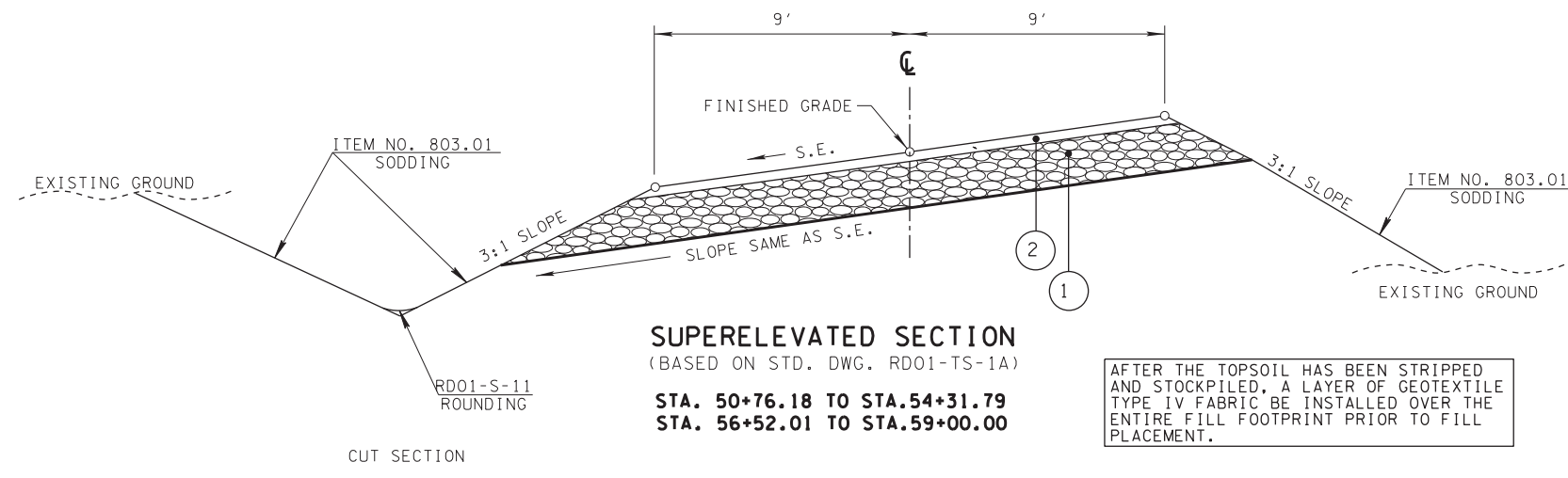
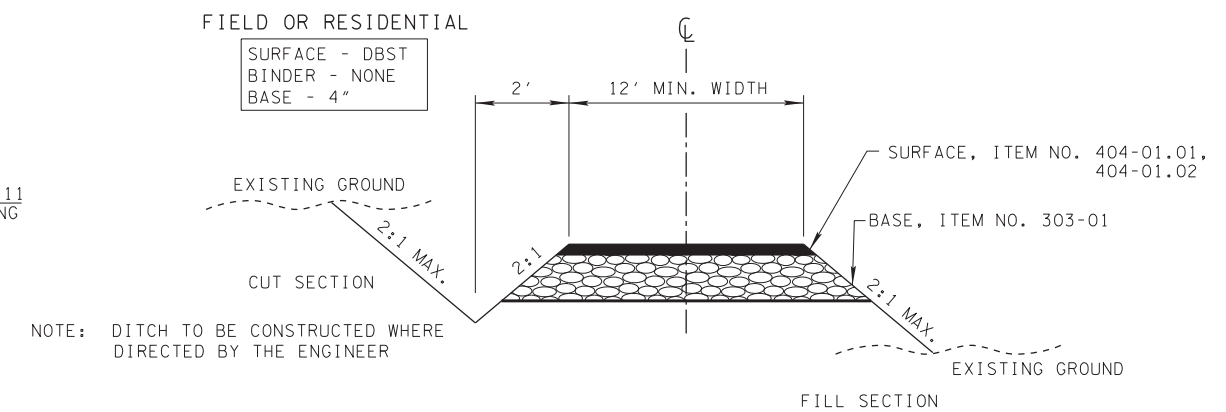
STATE OF TENNESSEE
DEPARTMENT OF
TRANSPORTATION

PROJECT
COMMITMENTS

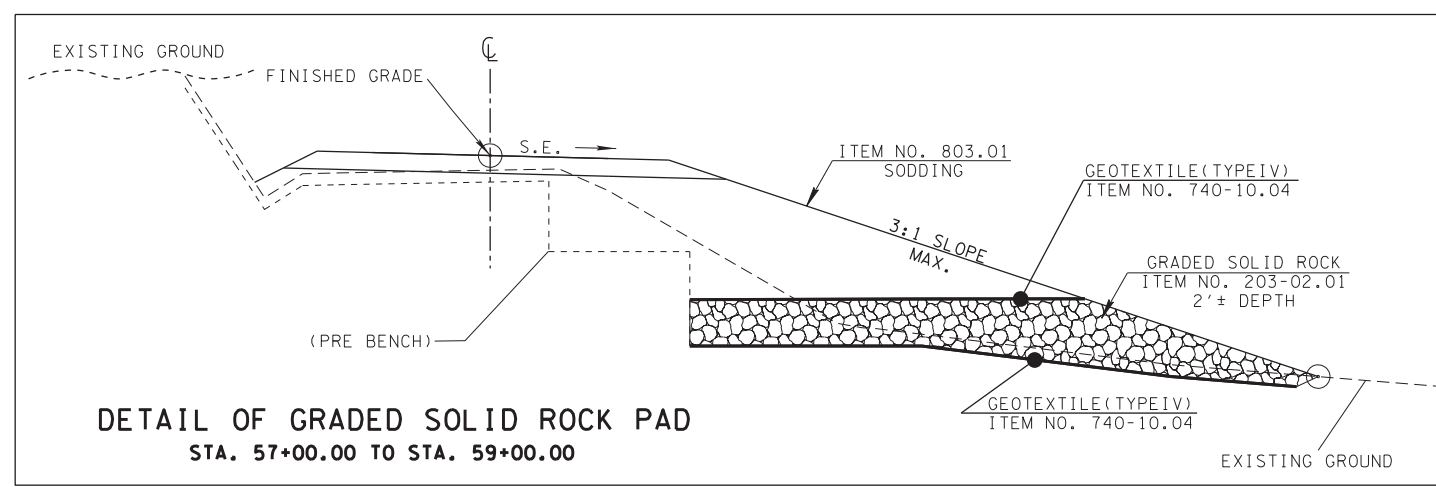
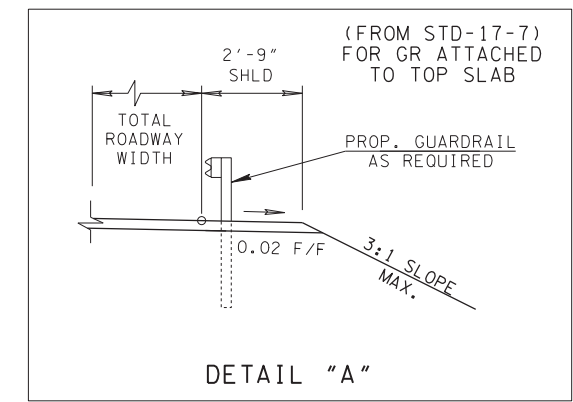
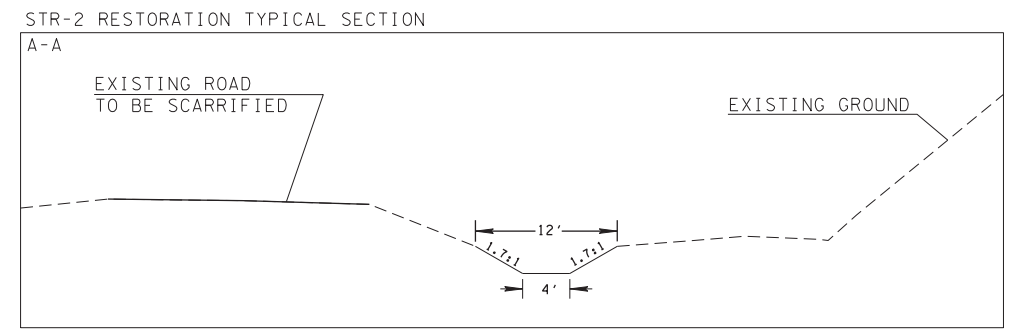
TYPE	YEAR	PROJECT NO.	SHEET NO.
R.O.W.	2017	BRZ-2500(26)	2
CONST.	2018	BRZ-2500(26)	2



AFTER THE TOPSOIL HAS BEEN STRIPPED AND STOCKPILED, A LAYER OF GEOTEXTILE TYPE IV FABRIC BE INSTALLED OVER THE ENTIRE FILL FOOTPRINT PRIOR TO FILL PLACEMENT.



AFTER THE TOPSOIL HAS BEEN STRIPPED AND STOCKPILED, A LAYER OF GEOTEXTILE TYPE IV FABRIC BE INSTALLED OVER THE ENTIRE FILL FOOTPRINT PRIOR TO FILL PLACEMENT.



PROPOSED PAVEMENT SCHEDULE	
① MINERAL AGGREGATE BASE (8" THICK) 303-01 MINERAL AGGREGATE, TYPE "A" BASE GRADING "D"	② DOUBLE BITUMINOUS SURFACE TREATMENT 404-01.01 BITUMINOUS MAT. FOR DOUBLE BITUMINOUS SURFACE TREATMENT (DBST) @ 0.84 GAL/SY 404-01.02 MINERAL AGGREGATE FOR DOUBLE BITUMINOUS SURFACE TREATMENT (DBST) @ 58 Lb./SY

CONSTRUCTION FIELD REVIEW

SEALED BY

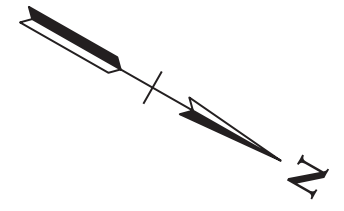
STATE OF TENNESSEE
DEPARTMENT OF TRANSPORTATION

TYPICAL SECTIONS AND PAVEMENT SCHEDULE

5-JUN-2018 10:30 \\J02WF01\dot.state.tn.us\02Shared\Design_County_Folders\Fentress\Rotten_Fork_Sheets\01-002_TypicalSections.sht

TYPE	YEAR	PROJECT NO.	SHEET NO.
R.O.W.	2017	BRZ-2500(26)	6
CONST.	2018	BRZ-2500-(26)	19

REV 05-15-18: CHANGED PROPOSED BOX CULVERT SIZE TO A 16X9 PER TDOT STRUCTURES DIVISION.



25945-2478-94
 BEGIN PROJ. NO. BRZ-2500(26)
 STA. 49+39.57 R.O.W.
 N 813,268.5944
 E 2,279,047.7576

25945-2478-94
 END PROJ. NO. BRZ-2500(26)
 STA. 59+10.00 R.O.W.
 N 813,899.6280
 E 2,278,437.0771

LIMIT OF CONST.
 49+32.26

LIMIT OF CONST.
 59+00.00

STA 57+72
 78'-18" CONC CULV
 W/2 SAFETY STRAIGHT EWS REOD

CONSTRUCTION
 FIELD
 REVIEW

AREA	AREA (SQ. MI.)	AREA (ac)	0-50 (CFS)	0-100 (CFS)
1	12.29	7865	4000	4600
2	0.0005	0.38	0.93	1.07



SEALED BY

COORDINATES ARE NAD/83(1995),
 ARE DATUM ADJUSTED BY THE
 FACTOR OF 1.00002 AND TIED TO
 THE TGRN. ALL ELEVATIONS ARE
 REFERENCED TO THE NAVD 1988.

STATE OF TENNESSEE
 DEPARTMENT OF TRANSPORTATION

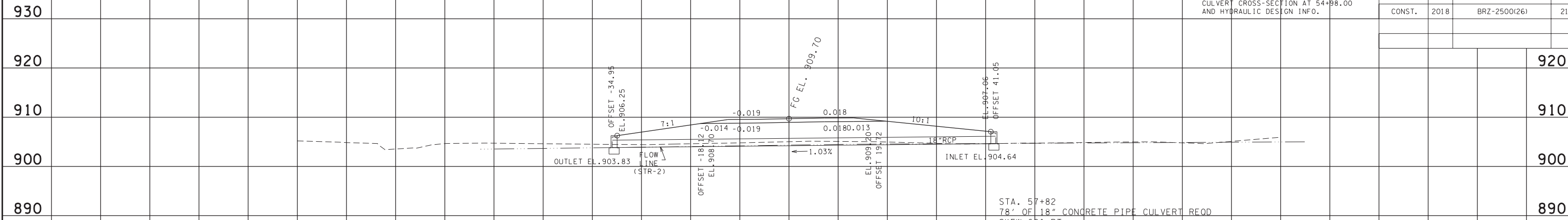
**DRAINAGE
 MAP**
 STA. 53+00.00
 TO STA. 60+00.00
 SCALE: 1"=50'

EXISTING 2' CONTOURS SHOWN

5-JUN-2018 13:22
 \\J02NF01\dot\state.tn.us\02Shared\Design County Folders\Fentriss\Rotten Fork\Sheets\09_DrainageMapAlt.sht

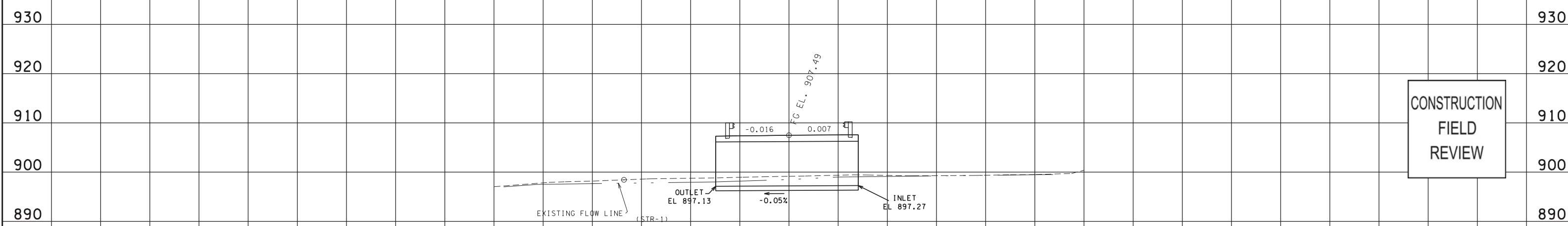
REV 05-15-18: CHANGED PROPOSED BOX CULVERT SIZE TO A 16X9 PER DOT STRUCTURES DIVISION. UPDATED CULVERT CROSS-SECTION AT 54+98.00 AND HYDRAULIC DESIGN INFO.

TYPE	YEAR	PROJECT NO.	SHEET NO.
R.O.W.	2017	BRZ-2500(26)	7
CONST.	2018	BRZ-2500(26)	21



STA. 57+82
 78' OF 18" CONCRETE PIPE CULVERT REQD
 SKEW 60° RT
 ENDWALLS REQD. : STRAIGHT ENDWALLS
 STD. DWG. NOS. D-PE-18A, D-PE-18B, D-PE-4, & D-PE-7
 D.A. = 0.38 AC.
 Q50 = 0.93 CFS
 Q100 = 1.07 CFS
 W.S. ELEV. (50) = 905.21
 W.S. ELEV. (100) = 905.26

ROTTEN FORK ROAD
57+82.00



STATION 55+00.00
 STRUCTURE 28.15' OF 3 @ 16' x 9' BOX BRIDGE
 SKEW 60° LT
 DRAINAGE AREA 12.33 SQ. MI.
 DESIGN DISCHARGE (Q2) 1550 CFS
 2YR. BACKWATER 0.62 FT @ EL. 905.36
 2YR. VELOCITY 5.17 FT/S
 DESIGN DISCHARGE (Q100) 5680 CFS
 Q100 HEADWATER ELEV. 908.78 FT
 INLET INVERT ELEVATION 897.27 FT
 OUTLET INVERT ELEVATION 897.13 FT
 STANDARD DRAWING NUMBERS STD-17-13, STD-17-20, STD-17-1, STD-17-100, STD-17-103
 CLASS "A" CONCRETE C.Y.
 STEEL BAR REINFORCING LB.
 FOUNDATION FILL MATERIAL C.Y.

ROTTEN FORK ROAD
54+98.00

**CONSTRUCTION
 FIELD
 REVIEW**

SEALED BY

STATE OF TENNESSEE
 DEPARTMENT OF TRANSPORTATION
**BOX BRIDGE/
 CULVERT
 SECTIONS**
 SCALE: 1"=10' HORIZ.
 1"=10' VERT.

15-JUN-2018 10:36
 \\J02WF01\dot.state.tn.us\02Shared\Design County Folder\Fentress\Rotten Fork\Sheets\02\CulvertCrossSection.sht

-80 -60 -40 -20 0 20 40 60 80

EPSC NOTES

TYPE	YEAR	PROJECT NO.	SHEET NO.
R.O.W.	2017	BRZ-2500(26)	8
CONST.	2018	BRZ-2500(26)	23

STREAMS, WETLANDS & BUFFER ZONES

- ANY WORK WITHIN THE STREAM CHANNEL AREA (E.G., PIER FOOTING, RIP-RAP PLACEMENT, CULVERT/BRIDGE CONSTRUCTION, ETC.) SHALL BE SEPARATED FROM FLOWING WATER OR EXPECTED FLOW PATH AND PERFORMED DURING LOW FLOW CONDITIONS. ALL ITEMS USED WITHIN THE STREAM CHANNEL AREA FOR DIVERSION OF FLOW (OR EXPECTED FLOW), UNLESS SPECIFIED IN THE PLANS, SHALL NOT BE PAID FOR DIRECTLY BUT SHALL BE INCLUDED IN THE COST OF OTHER ITEMS. THIS NOTE EXCLUDES ANY ITEMS SPECIFIED IN THE PLANS FOR THE TEMPORARY DIVERSION CHANNELS (EC-STR-31) AND TEMPORARY DIVERSION CULVERTS (EC STR-32) FOR SINGLE BARREL CULVERT CONSTRUCTION.

UTILITY RELOCATION

- STORMWATER WHICH COLLECTS IN THE UTILITY TRENCH SHALL BE PUMPED INTO A DEWATERING STRUCTURE OR SEDIMENT FILTER BAG AND TREATED PRIOR TO DISCHARGE.
- SILT FENCE SHALL BE INSTALLED ON THE DOWNGRADIENT SIDE OF STOCKPILED SOIL. TRENCHING ACROSS WET WEATHER CONVEYANCES SHALL BE DONE DURING DRY CONDITIONS AND STABILIZED BY THE END OF THE WORK DAY.
- UTILITY CROSSINGS IN ENVIRONMENTAL FEATURES SHALL BE CONSTRUCTED IN ACCORDANCE WITH TDOT STANDARDS AND NO WORK SHALL BE CONDUCTED IN FLOWING WATERS. ENVIRONMENTAL PERMITS APPLY TO UTILITIES IN THIS PROJECT. THE STATE CONTRACTOR SHALL COMPLY WITH ALL REQUIREMENTS OF THE PERMITS.
- IT IS THE RESPONSIBILITY OF THE STATE UTILITY CONTRACTOR TO PROTECT EXPOSED EARTH FROM EROSION AND TO PROVIDE FOR CONTAINMENT OF SEDIMENT THAT MAY RESULT FROM THEIR WORK. PRIOR TO BEGINNING WORK, ADEQUATE MEASURES MUST BE IN PLACE TO TRAP ANY SEDIMENT THAT MAY TRAVEL OFFSITE IN THE EVENT OF RAIN. DURING THE PROGRESSION OF THEIR WORK, EXPOSED EARTH AREAS SHALL BE STABILIZED AS SOON AS POSSIBLE TO PREVENT EROSION. AT NO TIME SHALL EXPOSED EARTH RESULTING FROM THEIR OPERATIONS HAVE UNPROTECTED ACCESS TO FLOWING OFFSITE AND ENTERING WATERS OF THE STATE/U.S.
- FOR THE INSTALLATION OF BURIED UTILITIES (PIPES AND CABLES), TRENCHES SHALL BE BACKFILLED DAILY AS CONSTRUCTION PROCEEDS. BACKFILLED TRENCHES SHALL BE SEEDED AND MULCHED OR SODDED DAILY IF POSSIBLE, BUT NO LATER THAN SEVEN DAYS AFTER BEING BACKFILLED. ANY TEMPORARY SPOILS OF EXCAVATED EARTH SHALL BE LOCATED WITHIN TDOT EPSC MEASURES OR RECEIVE SEPARATE EPSC MEASURES. IF TRENCHES ARE NOT BACKFILLED OVERNIGHT, APPROPRIATE EPSC MEASURES WILL BE INSTALLED BY THE STATE UTILITY CONTRACTOR UNTIL SUCH TIME AS THE TRENCH IS BACKFILLED.

- IN REGARD TO EPSC, TDEC REGULATIONS APPLY TO THE STATE UTILITY CONTRACTORS ON THIS PROJECT. THE STATE CONTRACTOR IS RESPONSIBLE FOR EPSC MEASURES RELATED TO UTILITY CONSTRUCTION INCLUDED IN THE STATE CONTRACT.
- TRENCHES FORMED FOR THE INSTALLATION OF BURIED UTILITIES MAY CAUSE STORMWATER RUNOFF TO CONCENTRATE AT THE TRENCH LINE. ADDITIONAL EPSC MEASURES MAY BE REQUIRED TO BE INSTALLED AS APPROVED BY THE TDOT PROJECT RESPONSIBLE PARTY.
- FOR THE INSTALLATION OF UNDERGROUND UTILITIES OUTSIDE OF THE TDOT RIGHT-OF-WAY, EPSC MEASURES SHALL BE INSTALLED PRIOR TO CLEARING (TRENCHING AND ASSOCIATED BLASTING) IN THOSE AREAS NECESSARY TO PREVENT SEDIMENT FROM LEAVING THE CONSTRUCTION AREA. THESE EPSC MEASURES SHALL REMAIN UNTIL THE BACKFILLED TRENCH IS STABILIZED WITH FINAL VEGETATIVE COVER.
- THE UTILITY CONTRACTOR SHALL RESTORE ALL AFFECTED WET WEATHER CONVEYANCES TO THE EXISTING TOPOGRAPHIC CONDITIONS AS APPROVED BY THE TDOT RESPONSIBLE PARTY.
- THE UTILITY CONTRACTOR WILL PROVIDE APPROPRIATE EPSC MEASURES TO REPLACE ONSITE EPSC MEASURES REMOVED TO FACILITATE THE INSTALLATION OF UTILITIES. REPLACEMENT OF EPSC MEASURES WILL BE COORDINATED WITH THE TDOT RESPONSIBLE PARTY BEFORE COMMENCING WORK.

ENVIRONMENTAL

- EXCEPT AS OTHERWISE SPECIFIED, THERE ARE NO KNOWN SPECIAL ENVIRONMENTAL FACTORS PRESENT ON THIS PROJECT THAT INDICATE A NEED FOR SEASONAL LIMITATIONS ON THE CLEARING, GRUBBING, EXCAVATION, GRADING, CUTTING OR FILLING OPERATIONS OR ON THE TOTAL AREA OF EXPOSED SOIL.

CONSTRUCTION
FIELD
REVIEW

SEALED BY

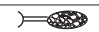



STATE OF TENNESSEE
DEPARTMENT OF TRANSPORTATION

EROSION
PREVENTION &
SEDIMENT CONTROL
(EPSC) NOTES

TYPE	YEAR	PROJECT NO.	SHEET NO.
R.O.W.	2017	BRZ-2500(26)	8
CONST.	2018	BRZ-2500(26)	23A

EROSION & PREVENTION SEDIMENT CONTROL QUANTITIES

STAGE	PAY ITEMS										
	ITEM NO. 203-01	ITEM NO. 209-07	ITEM NO. 209-08.02	ITEM NO. 209-08.07	ITEM NO. 209-08.08	ITEM NO. 209-09.04	ITEM NO. 303-10.01	ITEM NO. 707- 08.11	ITEM NO. 709-05.06	ITEM NO. 740-10.03	ITEM NO. 740-11.04
	ROAD & DRAIN EXEC (C.Y.)	TEMPORARY SLOPE DRAIN (18") (L.F.)	TEMP SILT FENCE W/ BACK (L.F.)	ROCK CHECK DAM (L.F.)	ENHANCED ROCK CHECK DAM (EACH)	TEMP. SEDIMENT FILTER BAG (BAG)	MINERAL AGGREGATE (SIZE 57) (TON)	HIGH VISIBILITY CONST. FENCE L.F.	MACHINED CLASS A-1 RIP RAP (TON)	GEOTEXTILE (TYPE III) (EROSION CONTROL) (S.Y.)	TEMP SEDIMENT TUBE 20 IN (L.F.)
1	203	105	3521	2	1	2	17	666	55	70	333
2	0	-	1886	2	1	-	-	107		-	140
TOTALS	203	105	5407	4	2	2	17	773	55	70	473

EROSION PREVENTION AND SEDIMENT CONTROL LEGEND		
SYMBOL	ITEM	STD. DWG.
* SFB * SFB * SFB *	SILT FENCE WITH WIRE BACKING	EC-STR-3C
	TEMPORARY BERM	EC-STR-27
	TEMPORARY SLOPE DRAIN	EC-STR-27
	TEMPORARY SLOPE DRAIN WITH TEMPORARY BERM	EC-STR-27
** TUBE ** TUBE **	SEDIMENT TUBE	EC-STR-37
	ENHANCED ROCK CHECK DAM (V-DITCH)	EC-STR-6A
— IN — DIV —	INSTREAM DIVERSION	EC-STR-30 EC-STR-30A
* HVF * HVF	HIGH VISIBILITY FENCE	S-F-1
	SEDIMENT FILTER BAG	EC-STR-2

CONSTRUCTION
FIELD
REVIEW

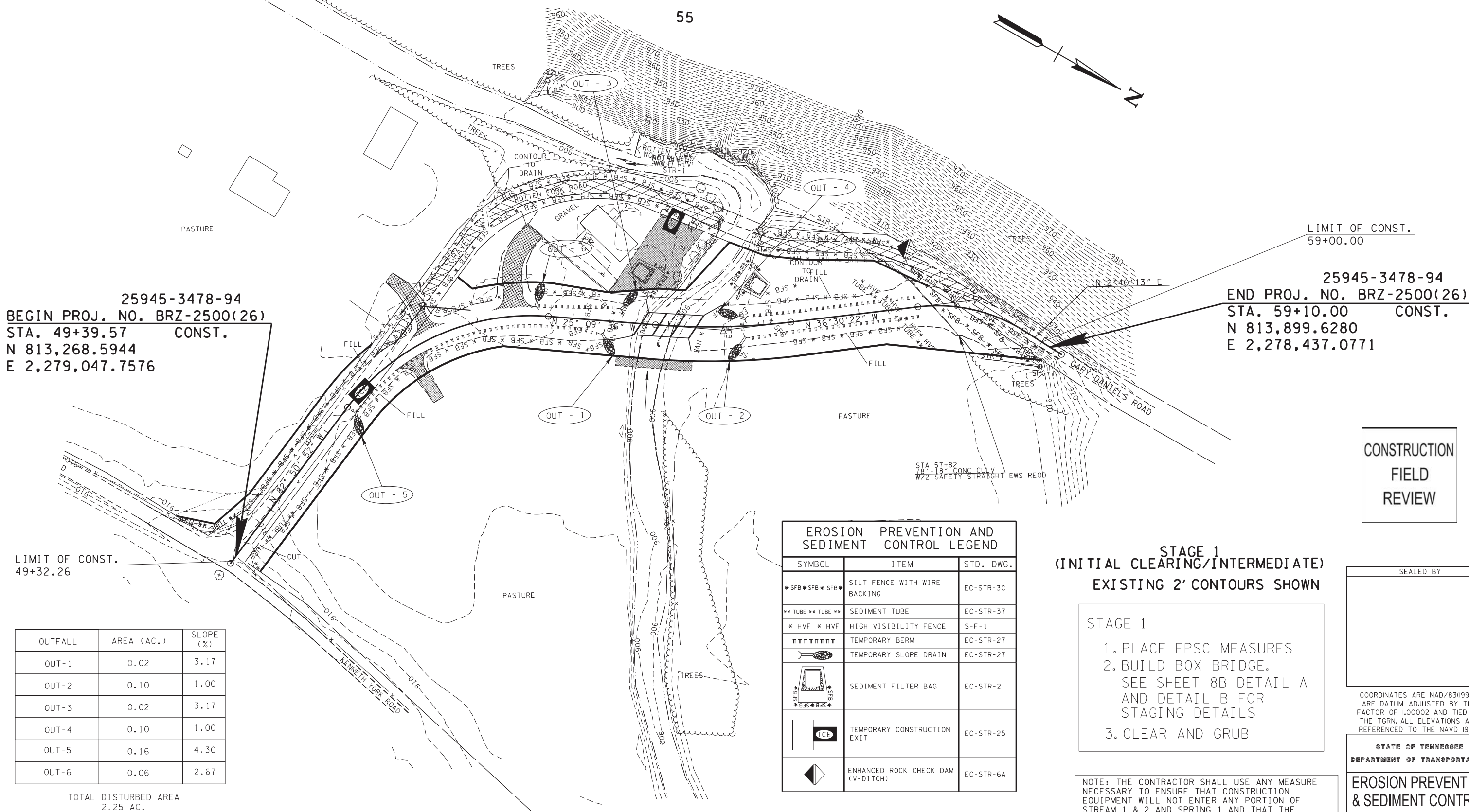
SEALED BY

STATE OF TENNESSEE
DEPARTMENT OF TRANSPORTATION

EROSION
PREVENTION &
SEDIMENT CONTROL
(EPSC) LEGEND &
TABULATION

TYPE	YEAR	PROJECT NO.	SHEET NO.
R.O.W.	2017	BRZ-2500(26)	8A
CONST.	2018	BRZ-2500(26)	24

REV 05-15-18: CHANGED PROPOSED BOX CULVERT SIZE TO A 16X9 PER TDOT STRUCTURES DIVISION. REMOVED CONST. EASEMENT LEFT OF CENTERLINE PAST STA. 55+00.00. ADJUSTED PROP. R.O.W. LINES. MOVED EPSC MEASURES.



25945-3478-94
 BEGIN PROJ. NO. BRZ-2500(26)
 STA. 49+39.57 CONST.
 N 813,268.5944
 E 2,279,047.7576

LIMIT OF CONST. 59+00.00
 25945-3478-94
 END PROJ. NO. BRZ-2500(26)
 STA. 59+10.00 CONST.
 N 813,899.6280
 E 2,278,437.0771

LIMIT OF CONST. 49+32.26

OUTFALL	AREA (AC.)	SLOPE (%)
OUT-1	0.02	3.17
OUT-2	0.10	1.00
OUT-3	0.02	3.17
OUT-4	0.10	1.00
OUT-5	0.16	4.30
OUT-6	0.06	2.67

TOTAL DISTURBED AREA
 2.25 AC.

EROSION PREVENTION AND SEDIMENT CONTROL LEGEND		
SYMBOL	ITEM	STD. DWG.
* SFB * SFB * SFB *	SILT FENCE WITH WIRE BACKING	EC-STR-3C
** TUBE ** TUBE **	SEDIMENT TUBE	EC-STR-37
* HVF * HVF	HIGH VISIBILITY FENCE	S-F-1
	TEMPORARY BERM	EC-STR-27
—○—	TEMPORARY SLOPE DRAIN	EC-STR-27
□	SEDIMENT FILTER BAG	EC-STR-2
—TCE—	TEMPORARY CONSTRUCTION EXIT	EC-STR-25
◀	ENHANCED ROCK CHECK DAM (V-DITCH)	EC-STR-6A

**STAGE 1
 (INITIAL CLEARING/INTERMEDIATE)
 EXISTING 2' CONTOURS SHOWN**

- STAGE 1
1. PLACE EPSC MEASURES
 2. BUILD BOX BRIDGE. SEE SHEET 8B DETAIL A AND DETAIL B FOR STAGING DETAILS
 3. CLEAR AND GRUB

NOTE: THE CONTRACTOR SHALL USE ANY MEASURE NECESSARY TO ENSURE THAT CONSTRUCTION EQUIPMENT WILL NOT ENTER ANY PORTION OF STREAM 1 & 2 AND SPRING 1 AND THAT THE STREAMS, SPRINGS, AND SURROUNDING VEGETATION WILL NOT BE DISTURBED AND PROTECTED FROM SEDIMENT AND OTHER POLLUTANTS.

CONSTRUCTION
 FIELD
 REVIEW

SEALED BY

COORDINATES ARE NAD/83(1995), ARE DATUM ADJUSTED BY THE FACTOR OF 1.00002 AND TIED TO THE TGRN. ALL ELEVATIONS ARE REFERENCED TO THE NAVD 1988.

STATE OF TENNESSEE
 DEPARTMENT OF TRANSPORTATION

EROSION PREVENTION & SEDIMENT CONTROL (EPSC) PLANS

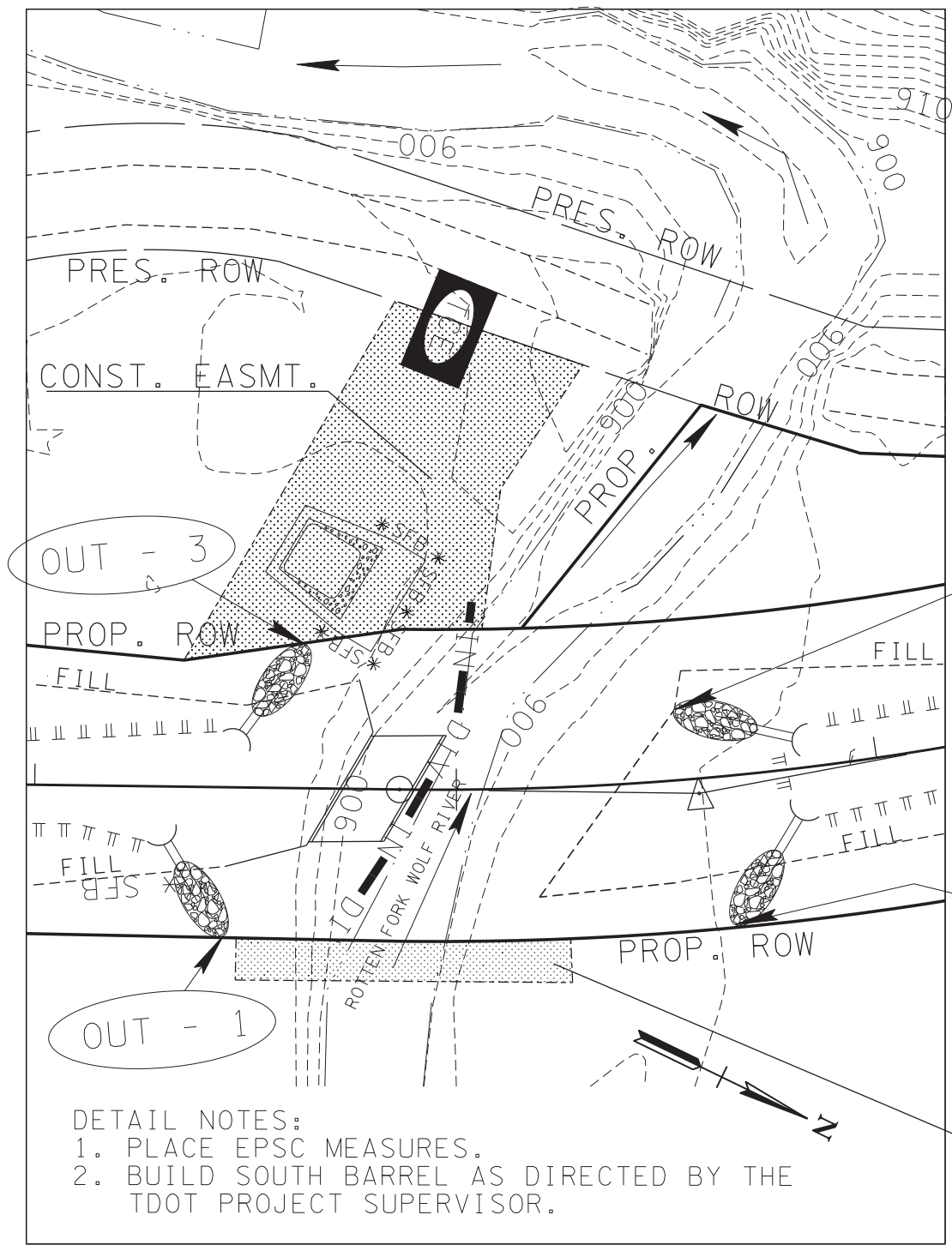
STA. 49+39.57 TO STA. 59+10.00

SCALE: 1"= 50'

TYPE	YEAR	PROJECT NO.	SHEET NO.
R.O.W.	2017	BRZ-2500(26)	8B
CONST.	2018	BRZ-2500(26)	25

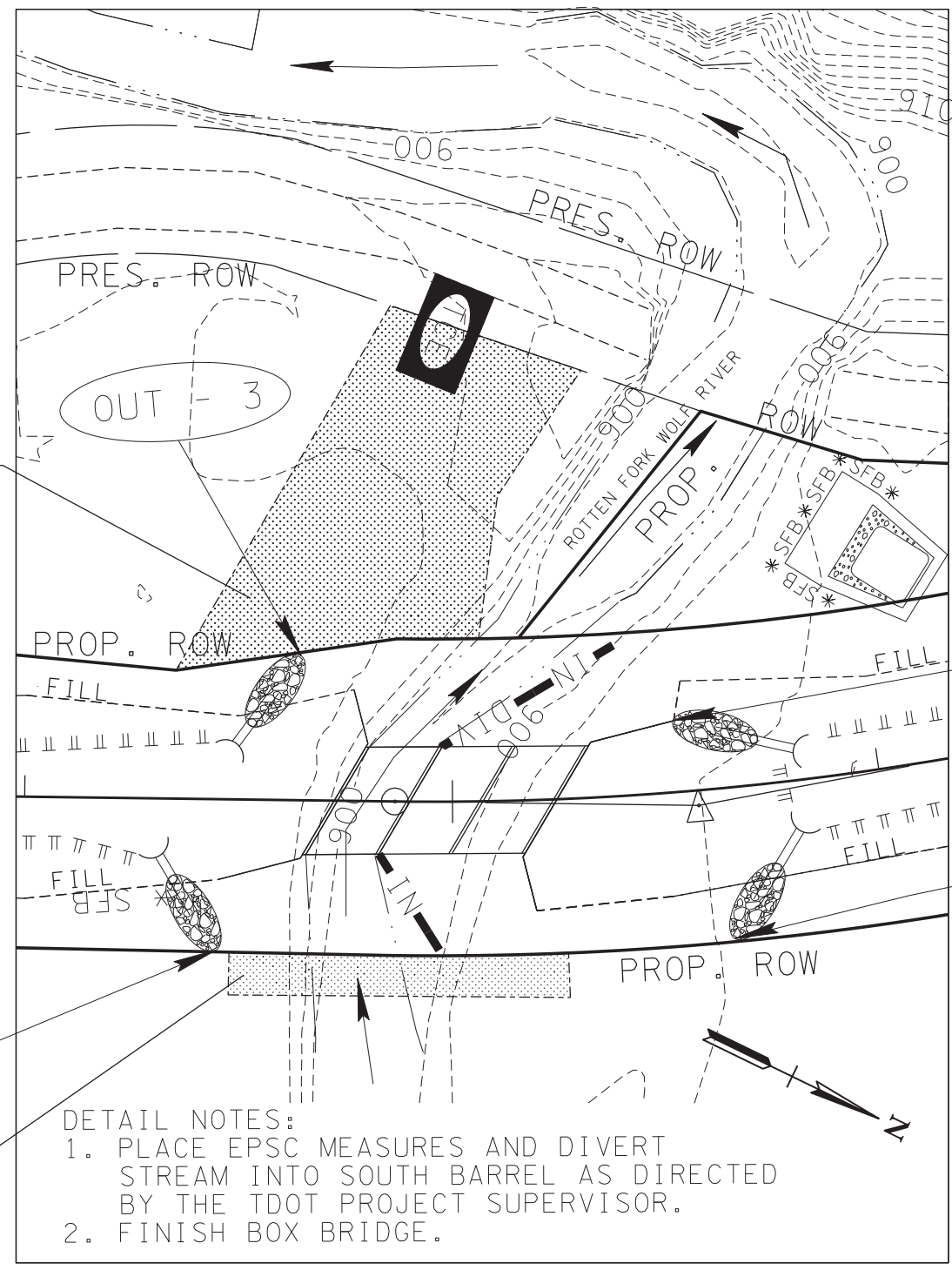
REV 05-15-18: CHANGED PROPOSED BOX CULVERT SIZE TO A 16X9 PER TDOT STRUCTURES DIVISION. REMOVED CONST. EASEMENT LEFT OF CENTERLINE PAST STA. 55+00.00. ADJUSTED PROP. R.O.W. LINES. MOVED EPSC MEASURES.

DETAIL A



DETAIL NOTES:
 1. PLACE EPSC MEASURES.
 2. BUILD SOUTH BARREL AS DIRECTED BY THE TDOT PROJECT SUPERVISOR.

DETAIL B



DETAIL NOTES:
 1. PLACE EPSC MEASURES AND DIVERT STREAM INTO SOUTH BARREL AS DIRECTED BY THE TDOT PROJECT SUPERVISOR.
 2. FINISH BOX BRIDGE.

CONST. EASMT.

OUT - 4

OUT - 2

OUT - 1

CONST. EASMT.

CONSTRUCTION
FIELD
REVIEW

OUT - 4

OUT - 2

SEALED BY

COORDINATES ARE NAD/83(1995), ARE DATUM ADJUSTED BY THE FACTOR OF 1.00002 AND TIED TO THE TGRN. ALL ELEVATIONS ARE REFERENCED TO THE NAVD 1988.

STATE OF TENNESSEE
DEPARTMENT OF TRANSPORTATION

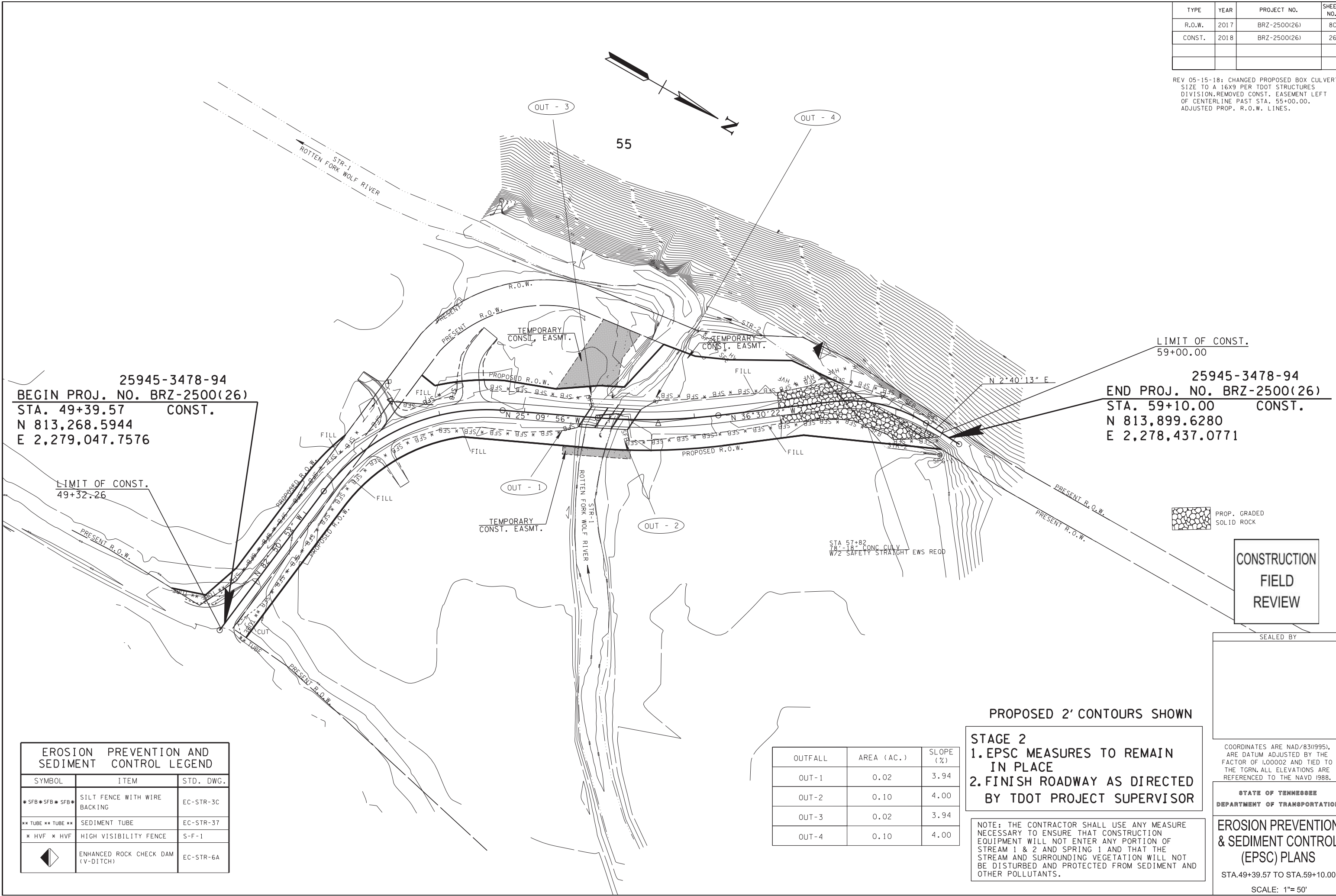
EROSION
PREVENTION &
SEDIMENT CONTROL

SCALE: 1"=20'

NOTE: SEE STD. DRAWING EC-STR-30 FOR FURTHER DETAILS.

TYPE	YEAR	PROJECT NO.	SHEET NO.
R.O.W.	2017	BRZ-2500(26)	8C
CONST.	2018	BRZ-2500(26)	26

REV 05-15-18: CHANGED PROPOSED BOX CULVERT SIZE TO A 16X9 PER TDOT STRUCTURES DIVISION. REMOVED CONST. EASEMENT LEFT OF CENTERLINE PAST STA. 55+00.00. ADJUSTED PROP. R.O.W. LINES.



25945-3478-94
 BEGIN PROJ. NO. BRZ-2500(26)
 STA. 49+39.57 CONST.
 N 813,268.5944
 E 2,279,047.7576

25945-3478-94
 END PROJ. NO. BRZ-2500(26)
 STA. 59+10.00 CONST.
 N 813,899.6280
 E 2,278,437.0771

LIMIT OF CONST.
 49+32-26

LIMIT OF CONST.
 59+00.00

PROP. GRADED
 SOLID ROCK

CONSTRUCTION
 FIELD
 REVIEW

SEALED BY

EROSION PREVENTION AND SEDIMENT CONTROL LEGEND		
SYMBOL	ITEM	STD. DWG.
* SFB * SFB * SFB *	SILT FENCE WITH WIRE BACKING	EC-STR-3C
** TUBE ** TUBE **	SEDIMENT TUBE	EC-STR-37
* HVF * HVF	HIGH VISIBILITY FENCE	S-F-1
	ENHANCED ROCK CHECK DAM (V-DITCH)	EC-STR-6A

OUTFALL	AREA (AC.)	SLOPE (%)
OUT-1	0.02	3.94
OUT-2	0.10	4.00
OUT-3	0.02	3.94
OUT-4	0.10	4.00

PROPOSED 2' CONTOURS SHOWN
 STAGE 2
 1. EPSC MEASURES TO REMAIN IN PLACE
 2. FINISH ROADWAY AS DIRECTED BY TDOT PROJECT SUPERVISOR

NOTE: THE CONTRACTOR SHALL USE ANY MEASURE NECESSARY TO ENSURE THAT CONSTRUCTION EQUIPMENT WILL NOT ENTER ANY PORTION OF STREAM 1 & 2 AND SPRING 1 AND THAT THE STREAM AND SURROUNDING VEGETATION WILL NOT BE DISTURBED AND PROTECTED FROM SEDIMENT AND OTHER POLLUTANTS.

COORDINATES ARE NAD/83(1995), ARE DATUM ADJUSTED BY THE FACTOR OF 1.00002 AND TIED TO THE TGRN. ALL ELEVATIONS ARE REFERENCED TO THE NAVD 1988.

STATE OF TENNESSEE
 DEPARTMENT OF TRANSPORTATION

EROSION PREVENTION & SEDIMENT CONTROL (EPSC) PLANS

STA. 49+39.57 TO STA. 59+10.00

SCALE: 1"= 50'

15-JUN-2018 13:22 \\J02WF01\dot\state\tn\us\02Shared\Design County\Folders\Rotten Fork\Sheets\026.EPSC-Stage2.sht